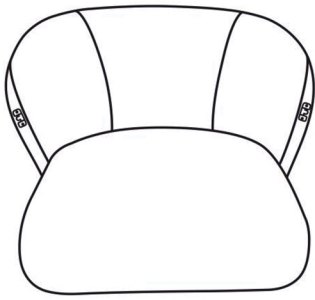
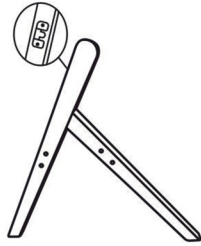


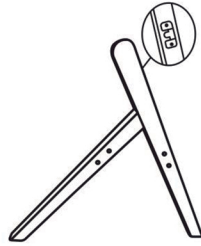
# sømcasa



Ax1



Bx1



Cx1



6\*55 MM

Dx8



20 MM

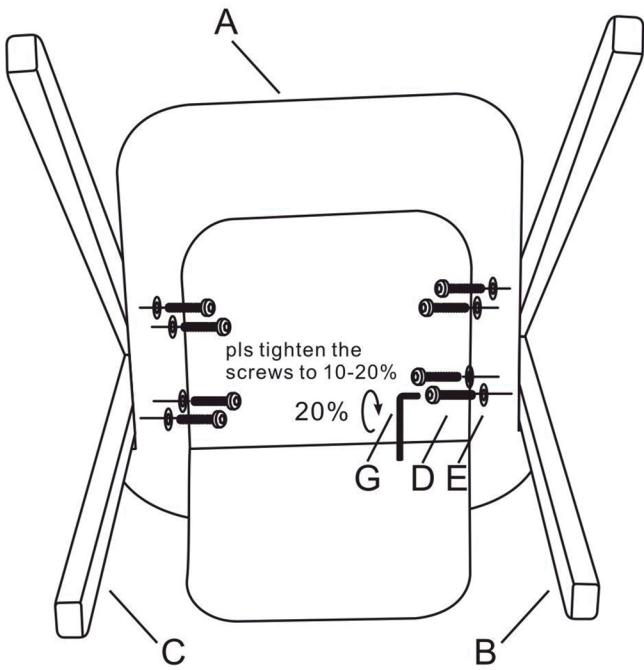
Ex8



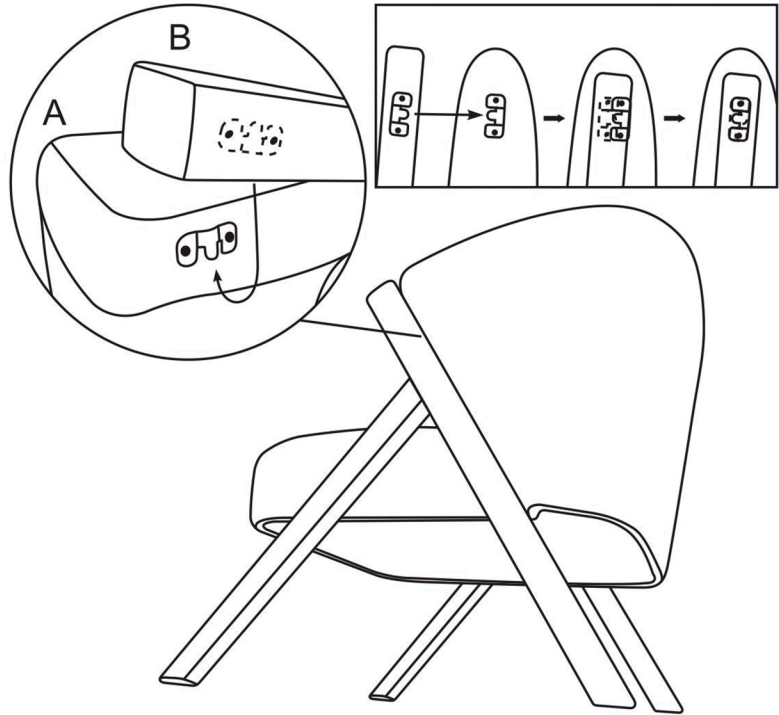
Fx4



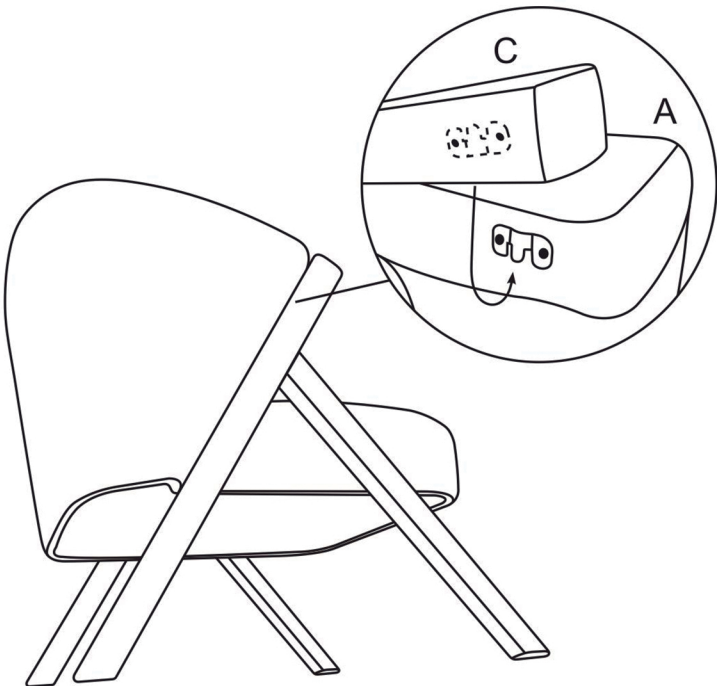
Gx1



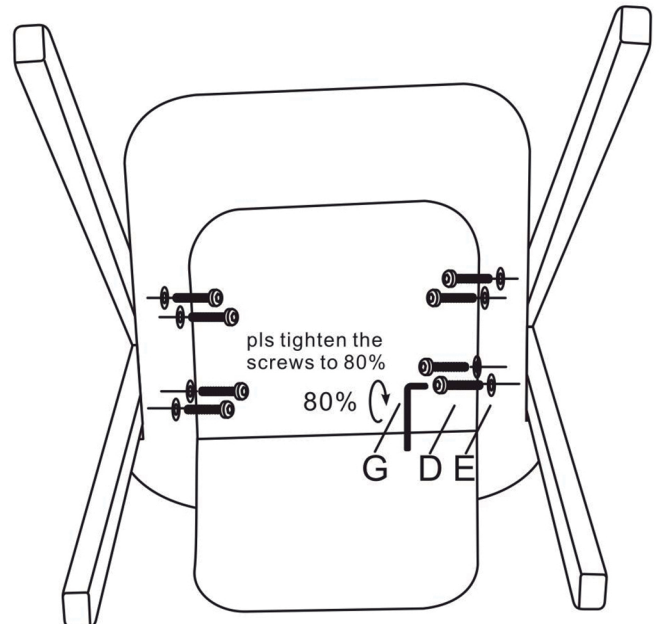
1



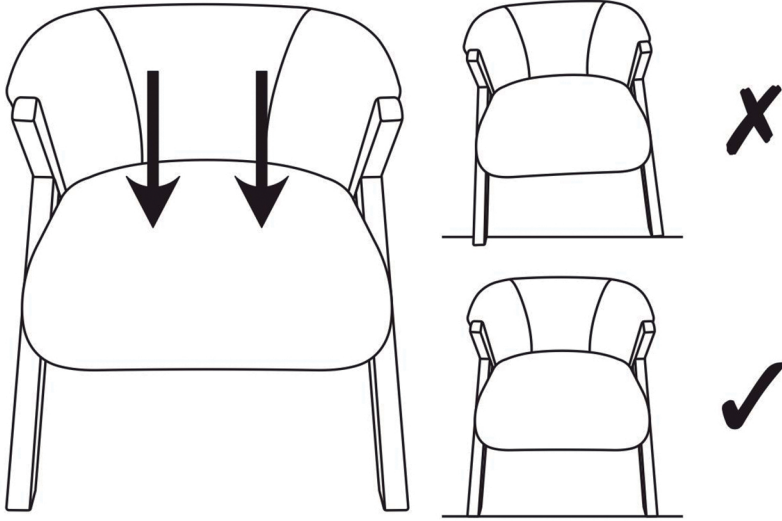
2



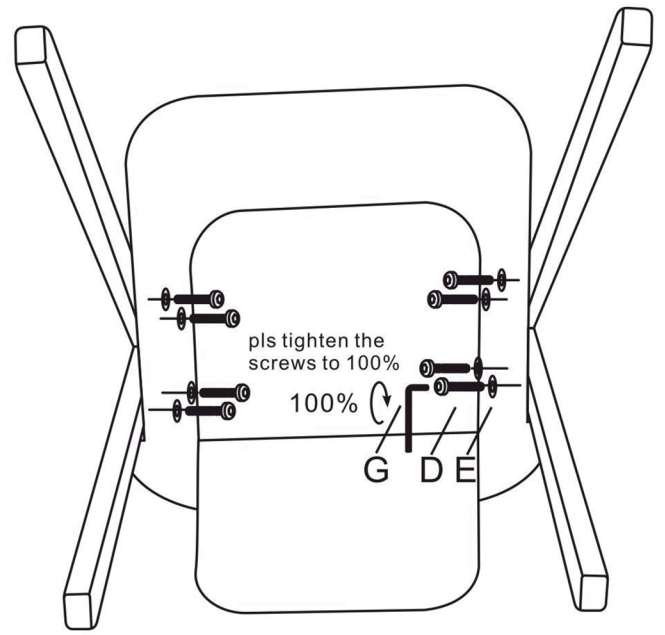
3



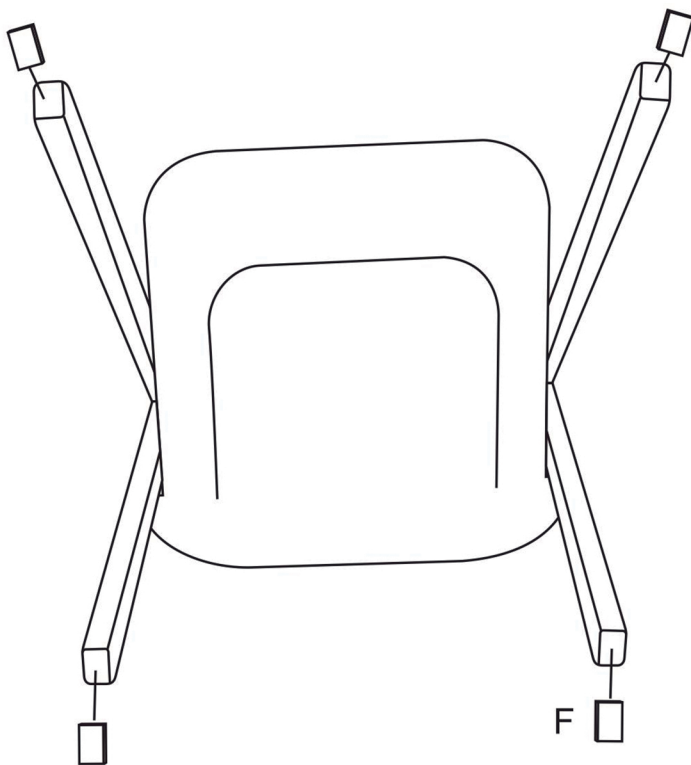
4



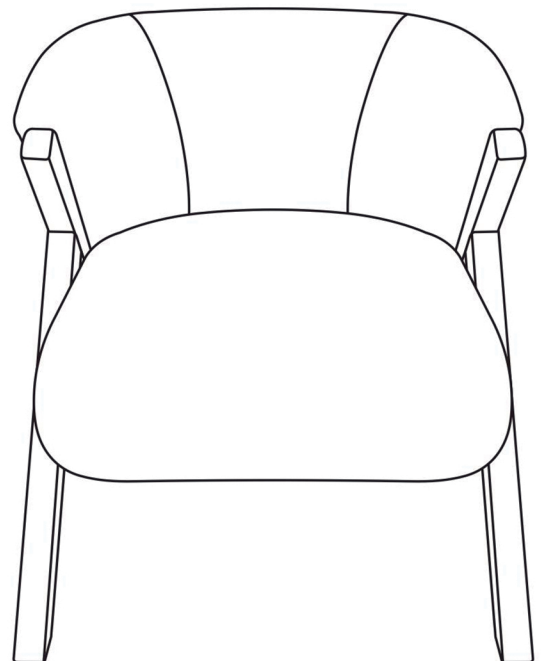
5



6



7



8