

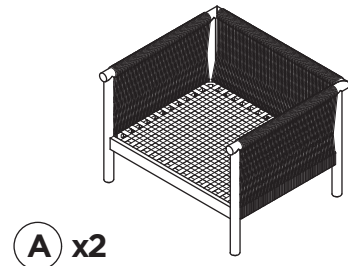
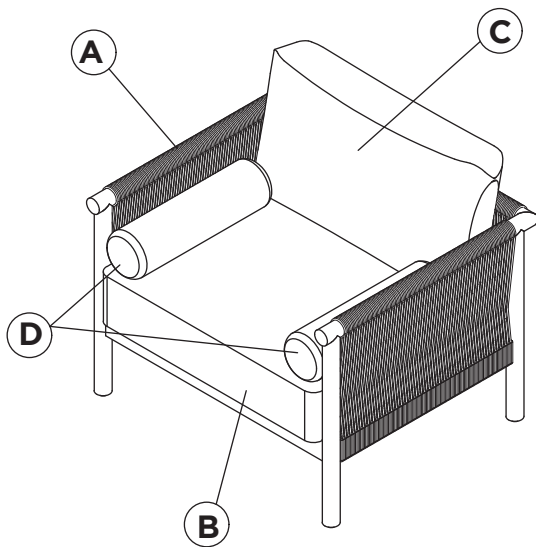
ASSEMBLY INSTRUCTIONS

Please read the instructions carefully for correct and safe assembly.

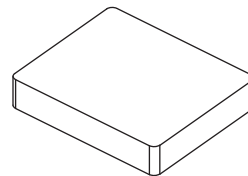
Name product: Outdoor Lounge Chair Oasis
(set of 2)

Article number: 1000543

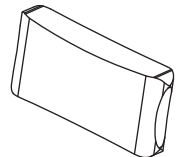
Fittings and parts checklist



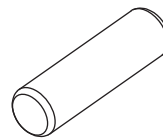
A x2



B x2



C x2



D x4



LEVELER FOOT
6x20 mm

E x8

**Thank you for
purchasing this
Dutchbone product.**

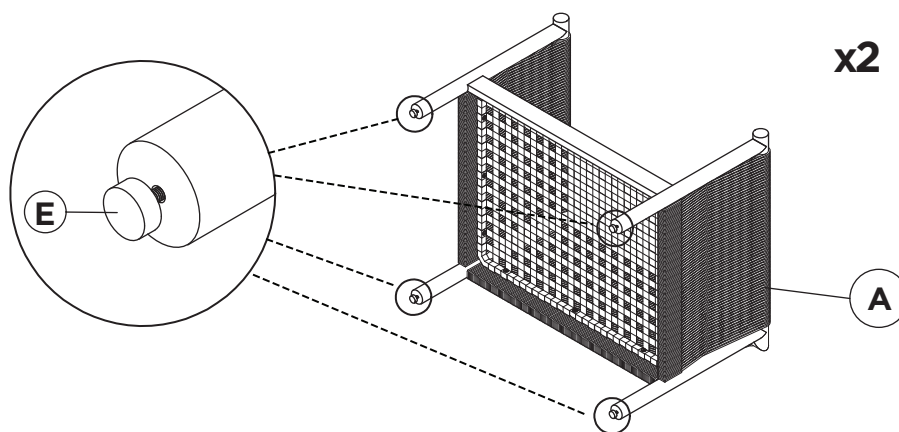
ASSEMBLY INSTRUCTIONS

Please read the instructions carefully for correct and safe assembly.

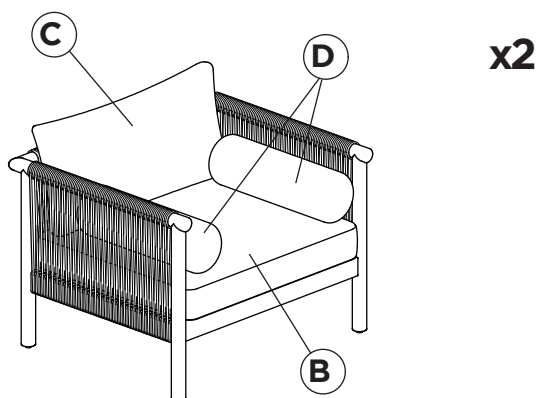
Name product: Outdoor Lounge Chair Oasis
(set of 2)

Article number: 1000543

1. Turn the adjustable feet on the leg to level the product.



2



**Thank you for
purchasing this
Dutchbone product.**

Care guide

Care and maintenance

How to care for your Outdoor Furniture

- This product is made from Acacia and has been painted and sealed with PU paint, suitable for outdoor use.
- Wood displays different grain patterns depending on which way they cut - for example, the 'medullary ray' which can appear on oak furniture is a mark of good quality timber - these are just characteristics of the natural beauty of the wood. Some furniture is also deliberately aged and rustic.
- All timber surfaces will change colour and mellow over time. New furniture will initially vary in shade from items that have been previously purchased.
- Please make sure that all surfaces are protected from heat and liquids by mats and coasters. Wipe up any spills immediately and make sure that a mat or pad is placed under any paper if writing.
- To extend the product life and appearance it is recommended to store the furniture in a cool dry, well ventilated place such as a garage or shed over winter or during periods of unseasonal weather.
- Ensure that the furniture is clean and completely dry before putting in to storage. Do NOT enclose the product in a plastic or other non-permeable material as this promotes the growth of mildew and mould. Cover it with a dust sheet or furniture cover allowing the air to circulate around it.
- Remove dust regularly with a clean soft brush and wipe down with a clean damp cloth. Bird droppings and tree sap should be cleaned off immediately.
- If the item is new/clean then apply a protector and clear shield twice a year. If required, use a mild cleaner and then apply a protector and clear shield on the wood. Make sure you leave to dry for a minimum of 8 hours before use.
- If your furniture comes with cushions, when not in use it is recommended that they are stored in a clean and dry environment. Wipe up any spills immediately and always refer to the care label which will either be sewn to the back of the cushion or sewn inside if your cushion has a zip closure.
- To clean the cushions, remove the covers and gently spot clean using upholstery shampoo or warm soapy water (with a mild detergent) to blot out any stains as soon as they occur.

Safety instructions

- This furniture has been designed for domestic use only.
- Furniture can be dangerous if incorrectly installed or assembled, it should be carried out by a competent person.
- No liability will be accepted for damage or injury caused by incorrectly installed or assembled furniture.
- Never drag furniture when moving it, always lift it.
- Periodically check all fixings to ensure none have come loose and re-tighten where necessary.
- Please take care when handling or moving the furniture as careless handling can cause damage or injury.
- Ensure that the furniture is always on a solid and level surface and not in a position where it can be easily knocked over.
- Remove care and handling with a common sense approach to avoid damage and injury by adopting positions to avoid any unnecessary risk.

Never tilt the chair. Ensure the chair is always placed firmly on the ground.
Regularly check leg attachment and retighten screws as necessary.
Do not use chair if legs are unstable. Please check fixings and tighten as required.

Maximum Load Capacity: 110kg per seat

