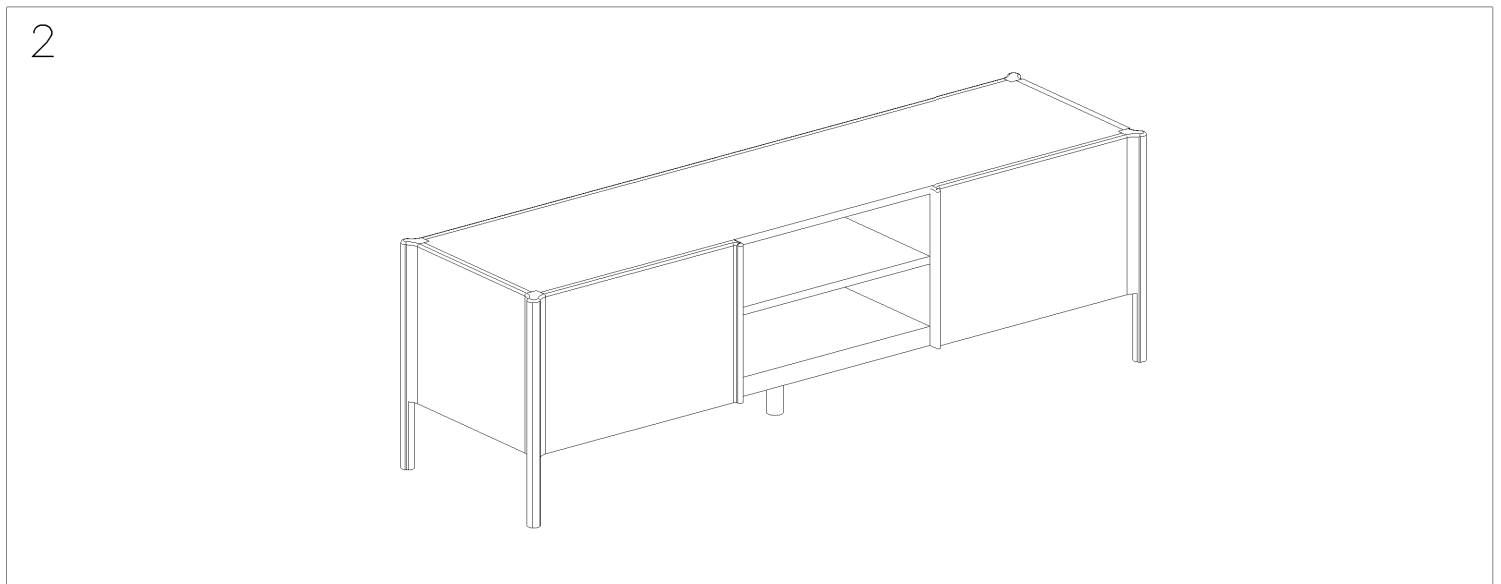
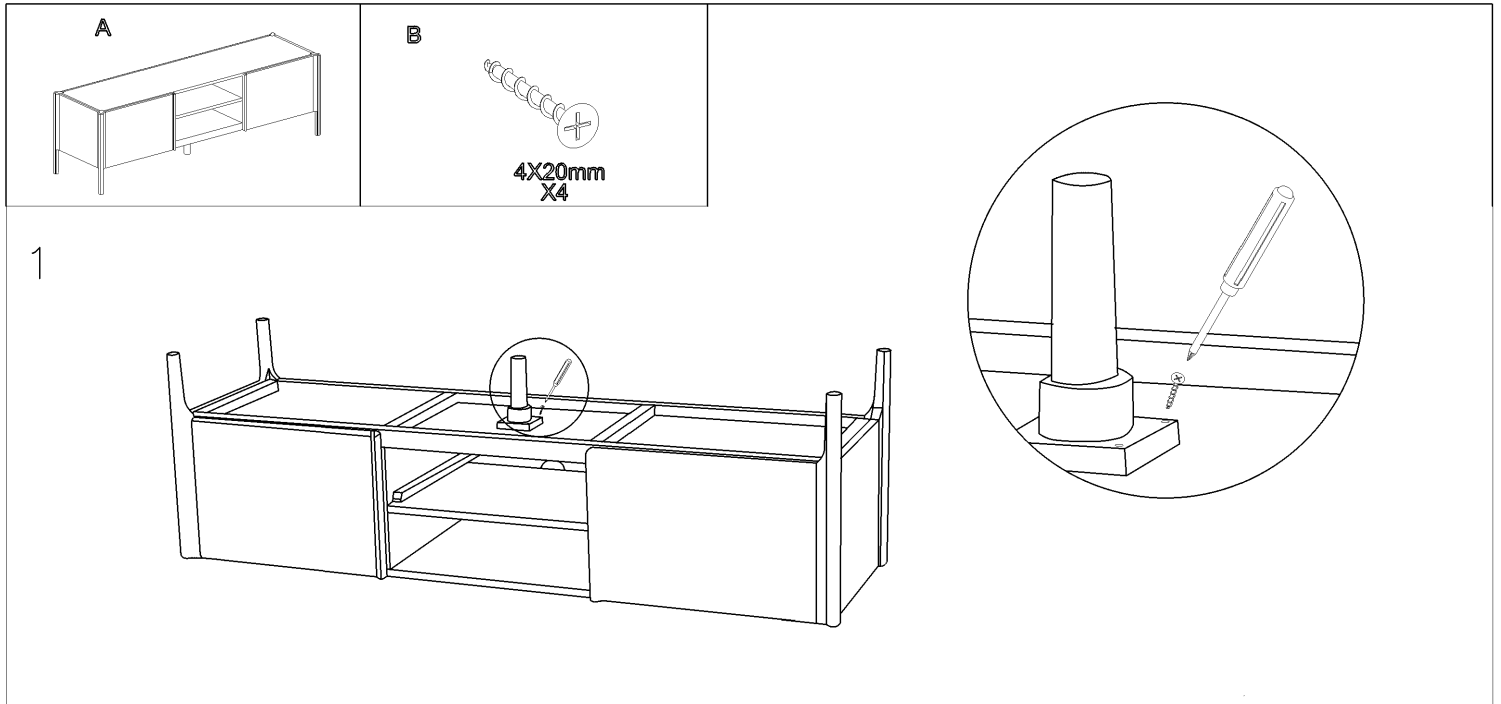


# ASSEMBLY INSTRUCTIONS

Please read the instructions carefully for correct and safe assembly.



Thank you for  
purchasing this  
Zuiver product.