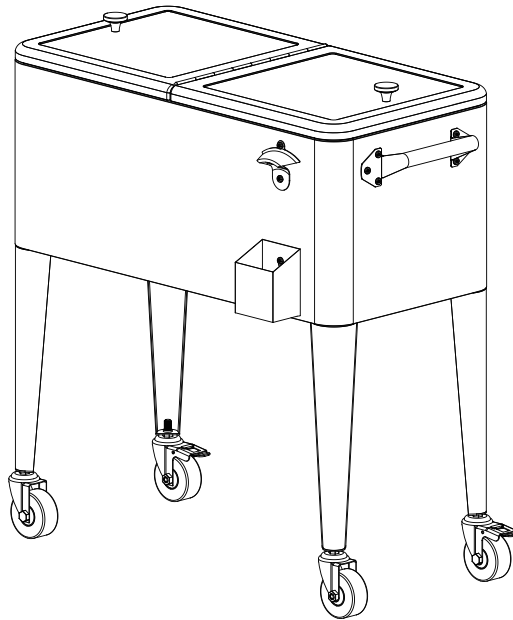


ZUIVER^o

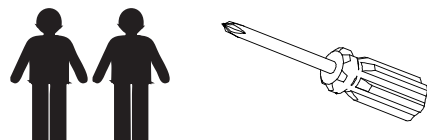
Thank you for purchasing this Patio Cooler. Please read the instructions carefully before use to ensure safe and satisfactory operation of this product.



Pre-assembly preparation

Please ensure instructions are read in full before attempting to assemble this product

Necessary tools and persons required



Please check the pack contents before attempting to assemble this product. A full checklist of components is given in this leaflet. If any components are missing, please contact the retailer from whom you bought this product.

This product is **HEAVY**, it should be assembled as near as possible to the point of use. **TAKE CARE WHEN LIFTING** to avoid personal injury and (or) damage to the product.

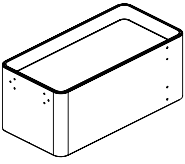
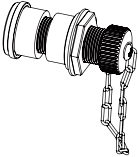

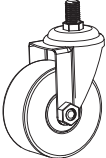
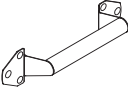

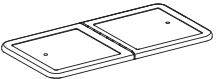
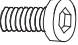
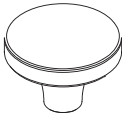
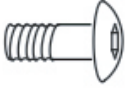

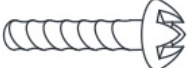
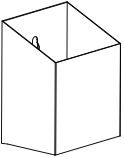
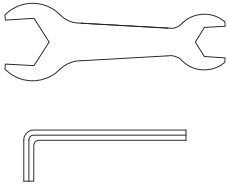
This product takes approximately **15 MINUTES** to assemble with **2 PEOPLE**.

The fittings pack contains **SMALL ITEMS** which should be **KEPT AWAY FROM YOUNG CHILDREN**.

Read this leaflet in full before commencing assembly.

PLEASE KEEP THESE INSTRUCTIONS FOR FUTURE REFERENCE

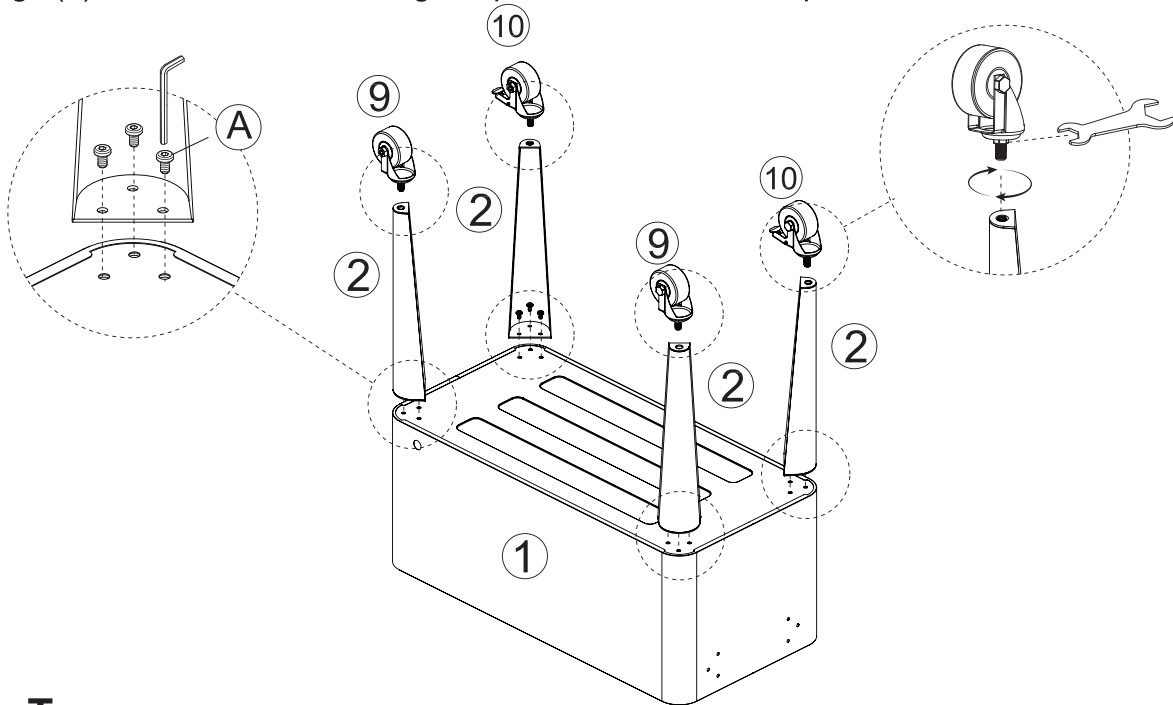
Fittings and parts checklist

①	Basin x1		⑧	Drainage x1	
②	Leg x4		⑨	Caster x2	
③	handle x2		⑩	Caster w/Brake x2	
④	Lid x1		A	Bolt x26	
⑤	Knob x2		B	Shoulder Bolt x2	
⑥	Bottle Opener x1		C	Screw x2	
⑦	Cap Catcher x1			Tools included	

Step by step assembly instructions

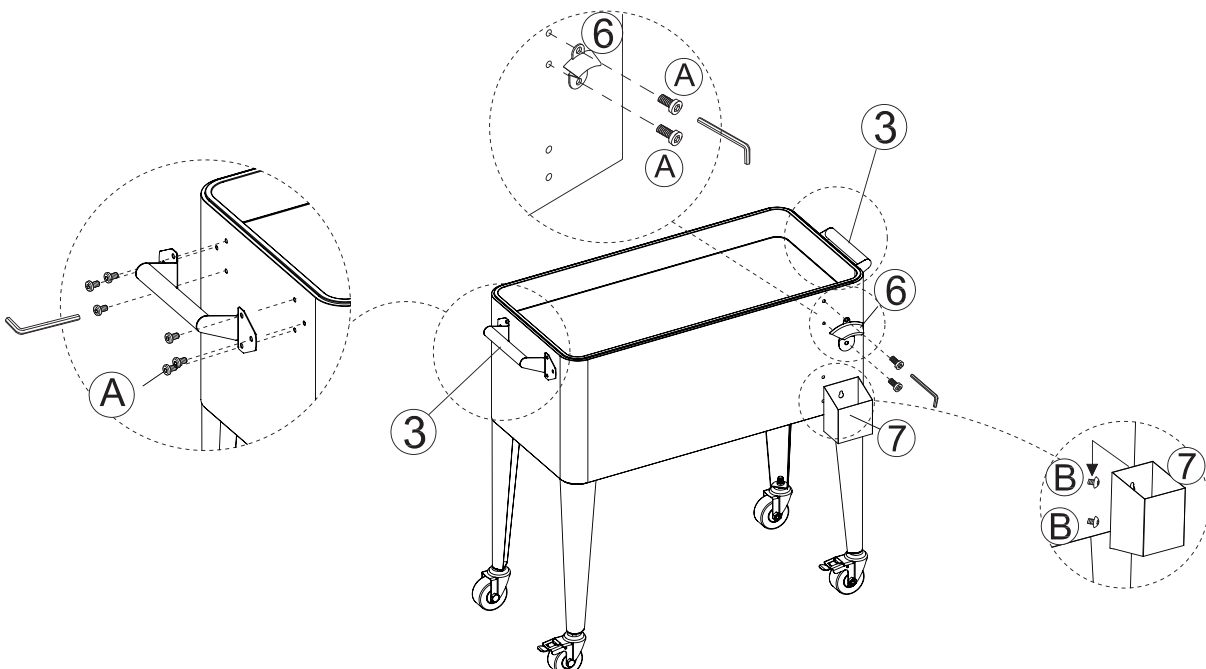
Step One

Turn the body (basin) upside down and place it on a clean and soft surface. Attach 4 legs (2) to body (1) with (3) M6x13mm bolts for each leg (a total of 12 bolts) and fully tighten with the provided Allen wrench. Insert and thread the casters (9) into two legs (2) on the same side using the provided double open-end wrench. Insert and thread the casters with brake (10) into the other two legs (2) on the same side using the provided the double-open-end wrench.



Step Two

Attach the body handles (3) to the body (1) using (6) M6x13mm bolts (A) for each handle (a total of 12 bolts) and fully tighten with the provided Allen wrench. Attach the bottle opener (6) to the body (1) using (2) M6x13mm bolts (A) and fully tighten with the provided Allen wrench. Attach the cap catcher (7) to the body (1) using (2) M6x13mm shoulder bolts (B).

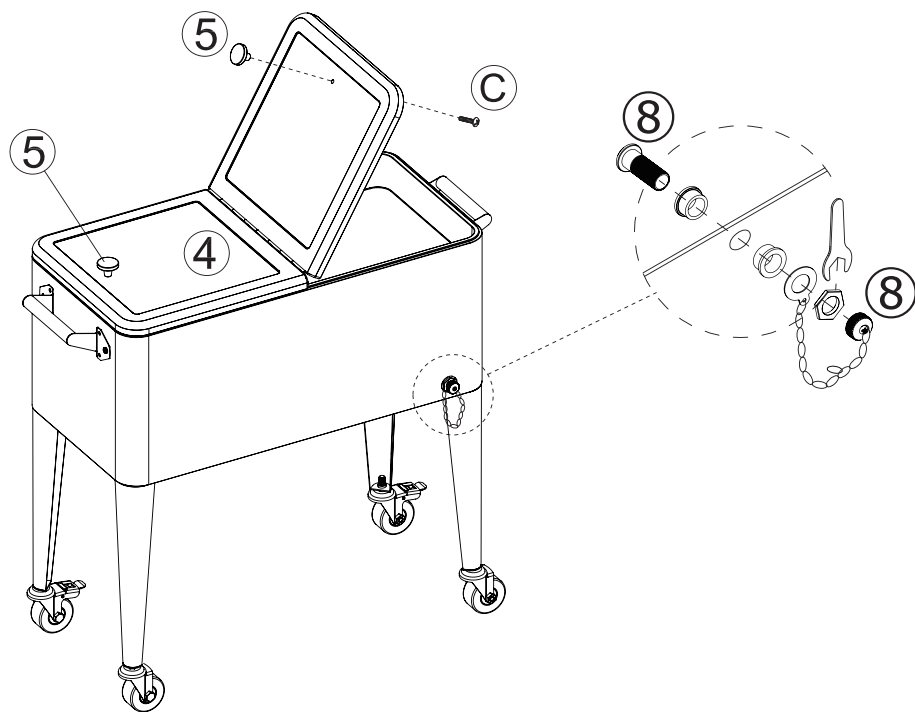


Step by step assembly instructions

Step Three

Attach the lid knobs (5) to the lid (4) using (2) M4x32mm screws (C) and fully tighten with a Phillips screwdriver.

Attach the drainage plug (8) to the body (1). Tighten with the provided double open-end wrench. Please be sure to install one rubber gasket on each side of the body basin and tighten the nut fully with the provided wrench to prevent leaks.



Care and Maintenance

How to care for your outdoor furniture

- Wash your outdoor furniture annually, scrub with soapy water followed by a thorough rinse.
- Periodically check all fixings to ensure none have come loose and re-tighten where necessary.
- Do not drag any objects across the surface, as this can cause permanent damage.
- We recommend that all garden furniture is covered when not in use and stored for winter. Ensure your furniture is clean and completely dry before being covered. The cover must be breathable to prevent mildew and/or mould developing. If storing away, ensure the space is not heated but dry with good airflow.

Safety instructions

- Please take care when handling or moving the furniture, careless handling may cause damage or injury.
- Furniture can be dangerous if incorrectly installed. Assembly should be carried out by a competent person. No liability will be accepted for damage or injury caused by incorrectly installed or assembled furniture.
- It is recommended that before moving heavy objects to a new location they are completely disassembled to avoid personal injury or damage to the furniture. Please be careful to retain all fittings when doing this.