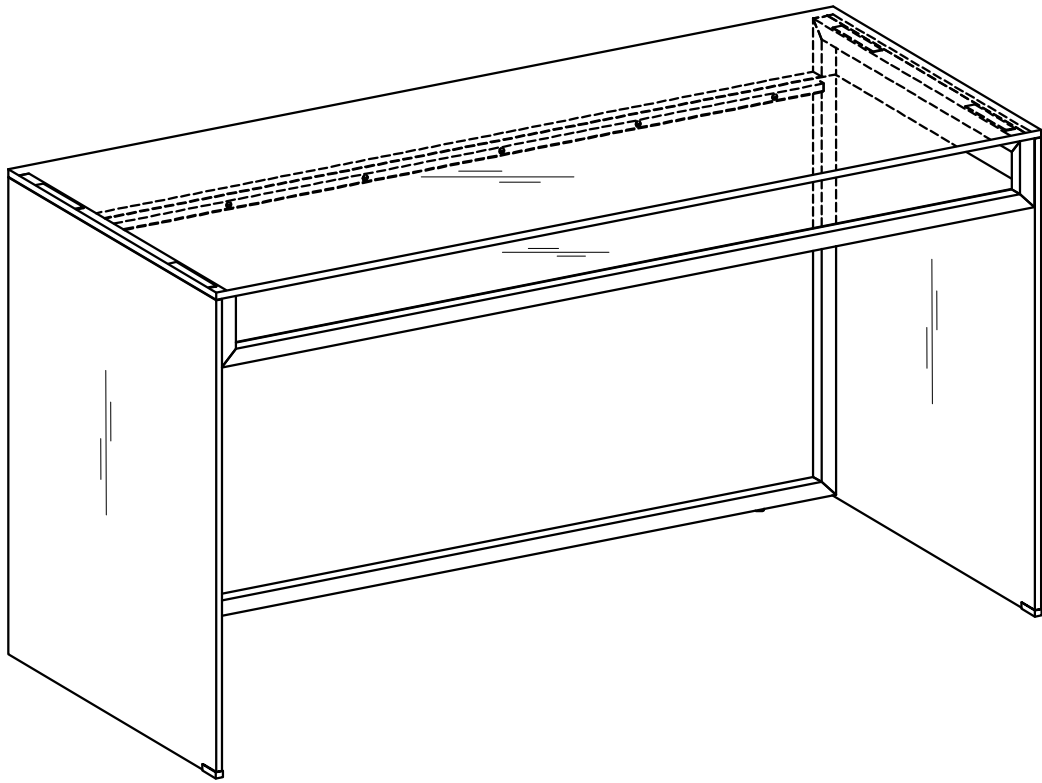
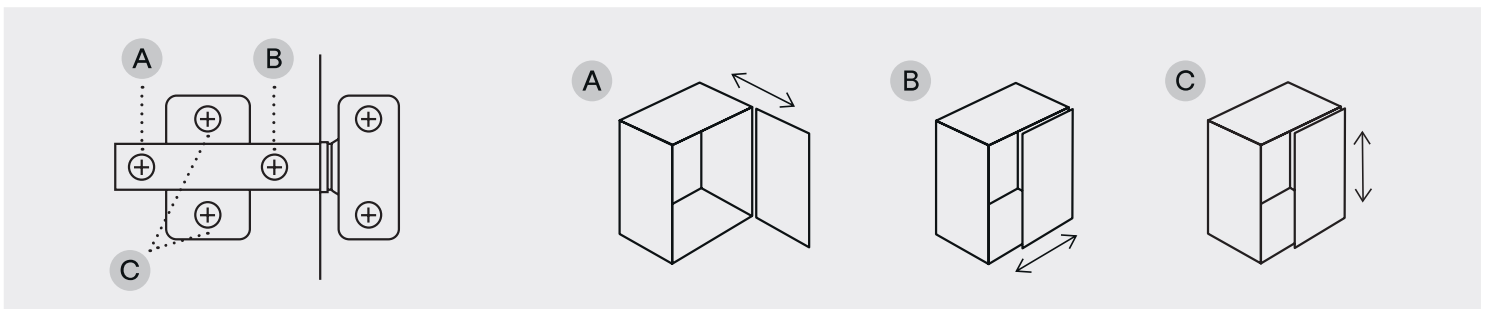
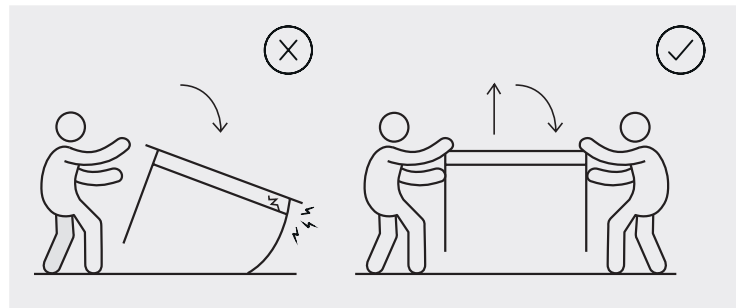
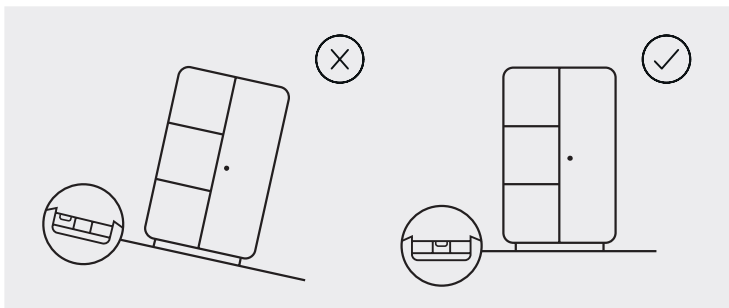
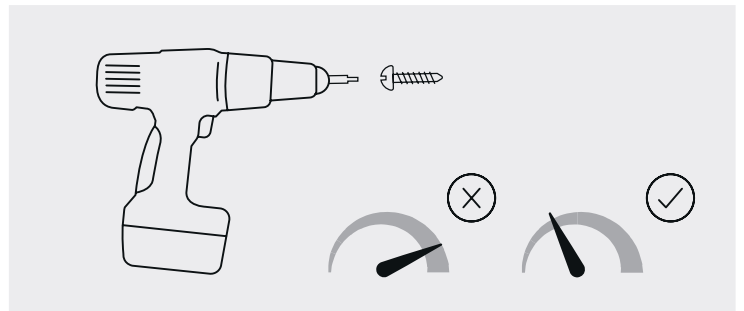
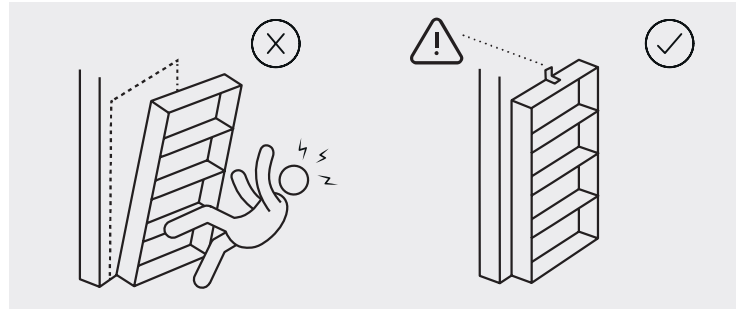
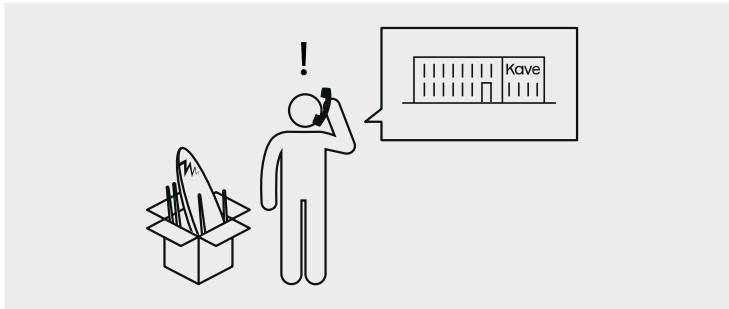
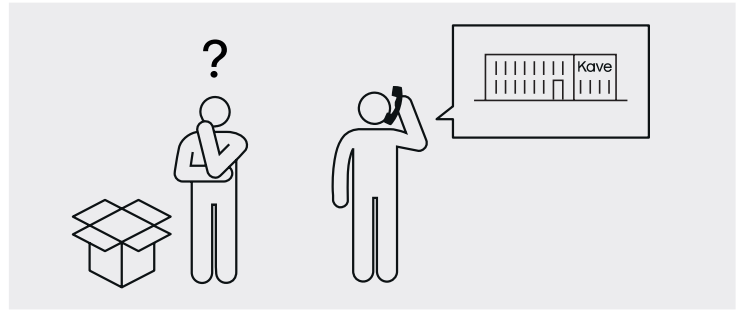
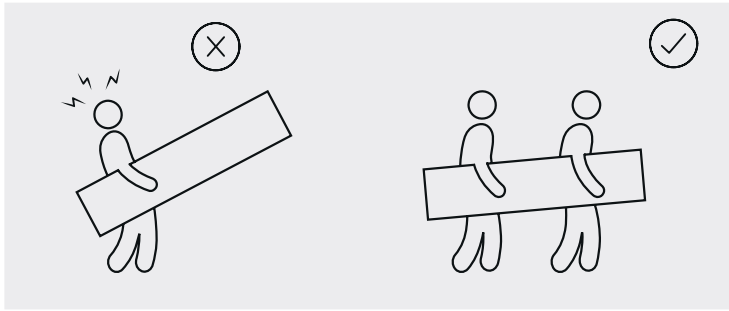


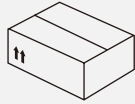
Adile







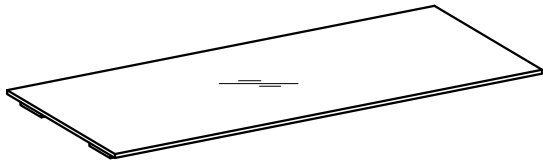
25 min



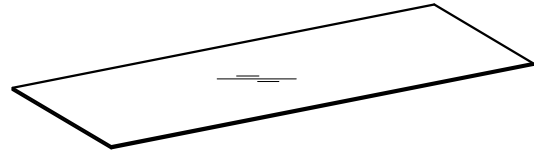
x2



x2



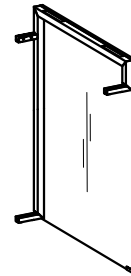
A x1



B x1



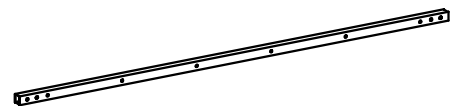
C x1



D x1



E x1



F x1



G x1



H x2



I x20
M6x10mm



J x8
M6x10mm



K x12
M5x15mm



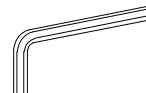
L x2
ø23



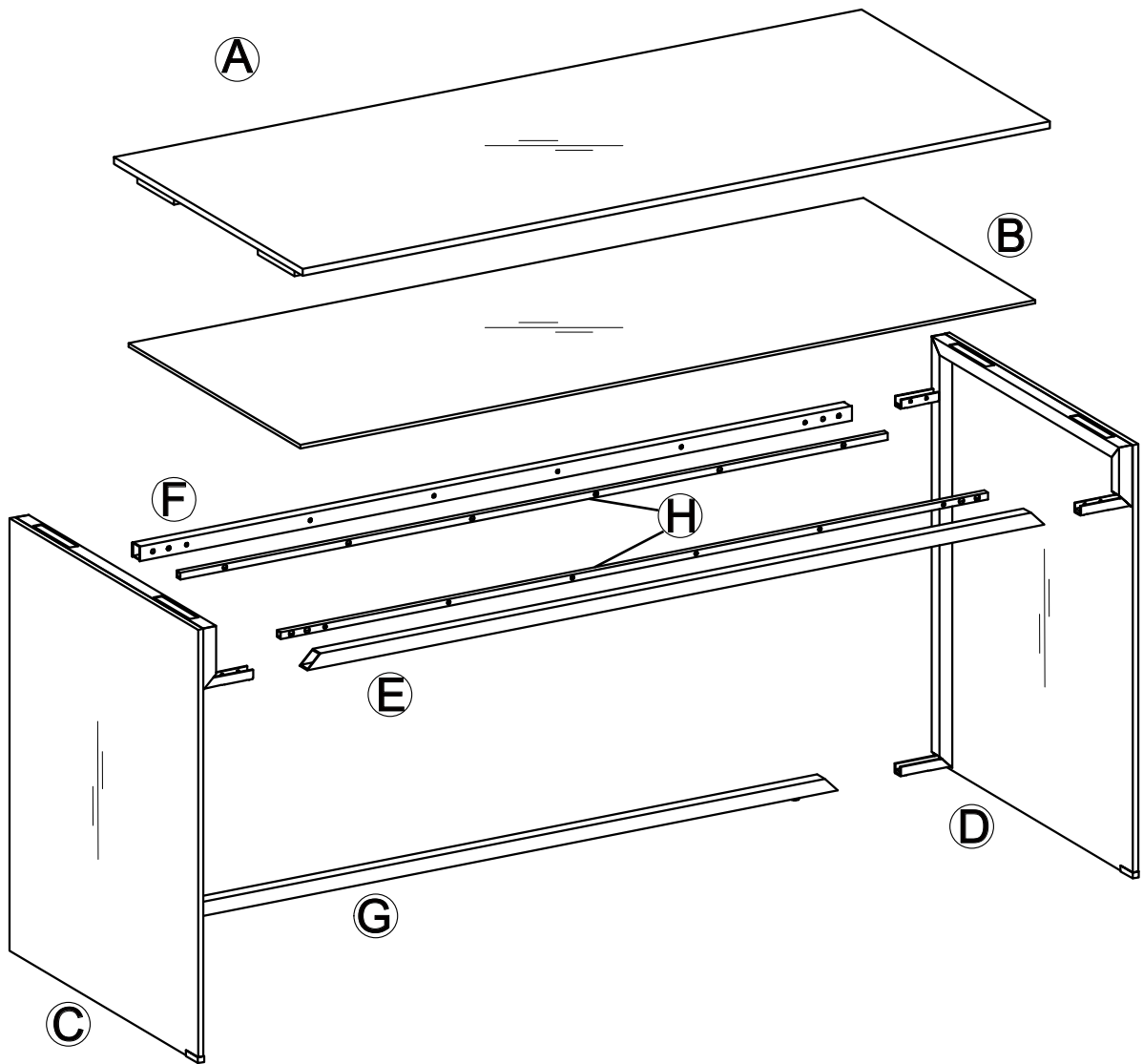
M x12







N x1
5mm

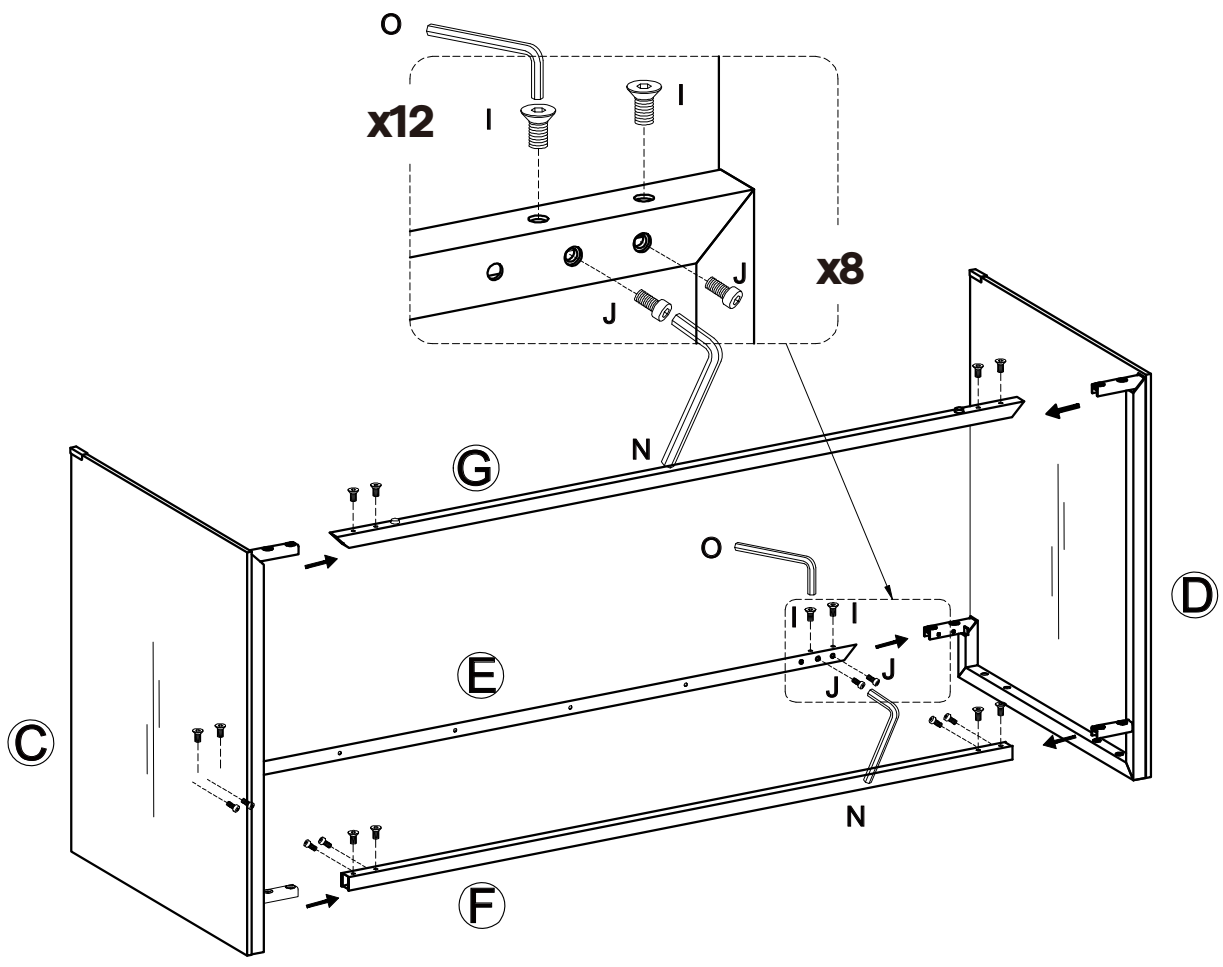


O x1
4mm

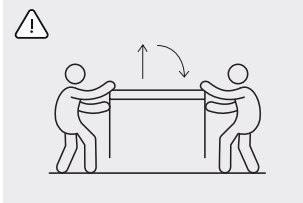
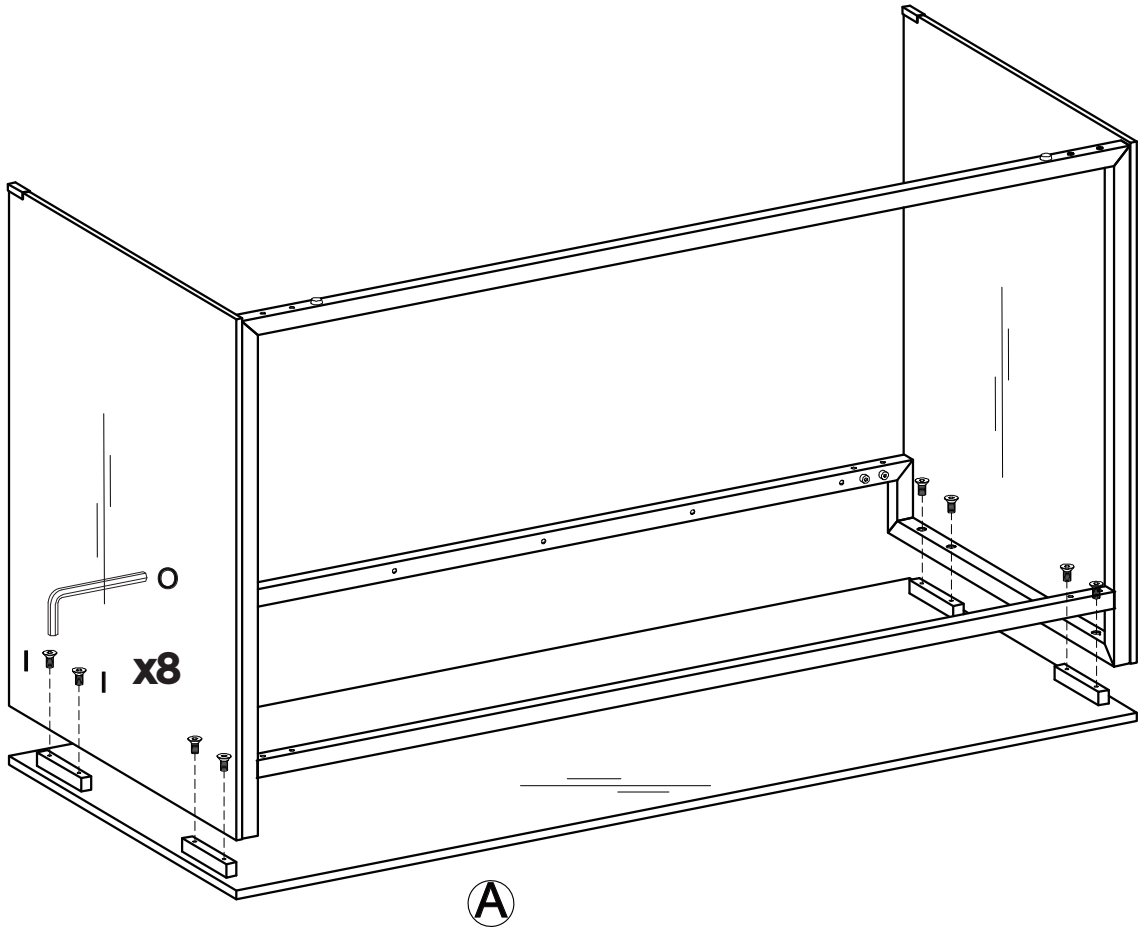
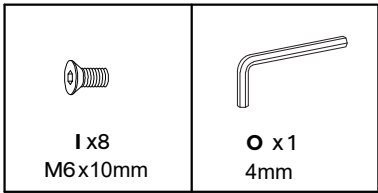


1

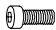


 I x12 M6x10mm	 J x8 M6x10mm	 N x1 5mm	 O x1 4mm
--	---	---	---

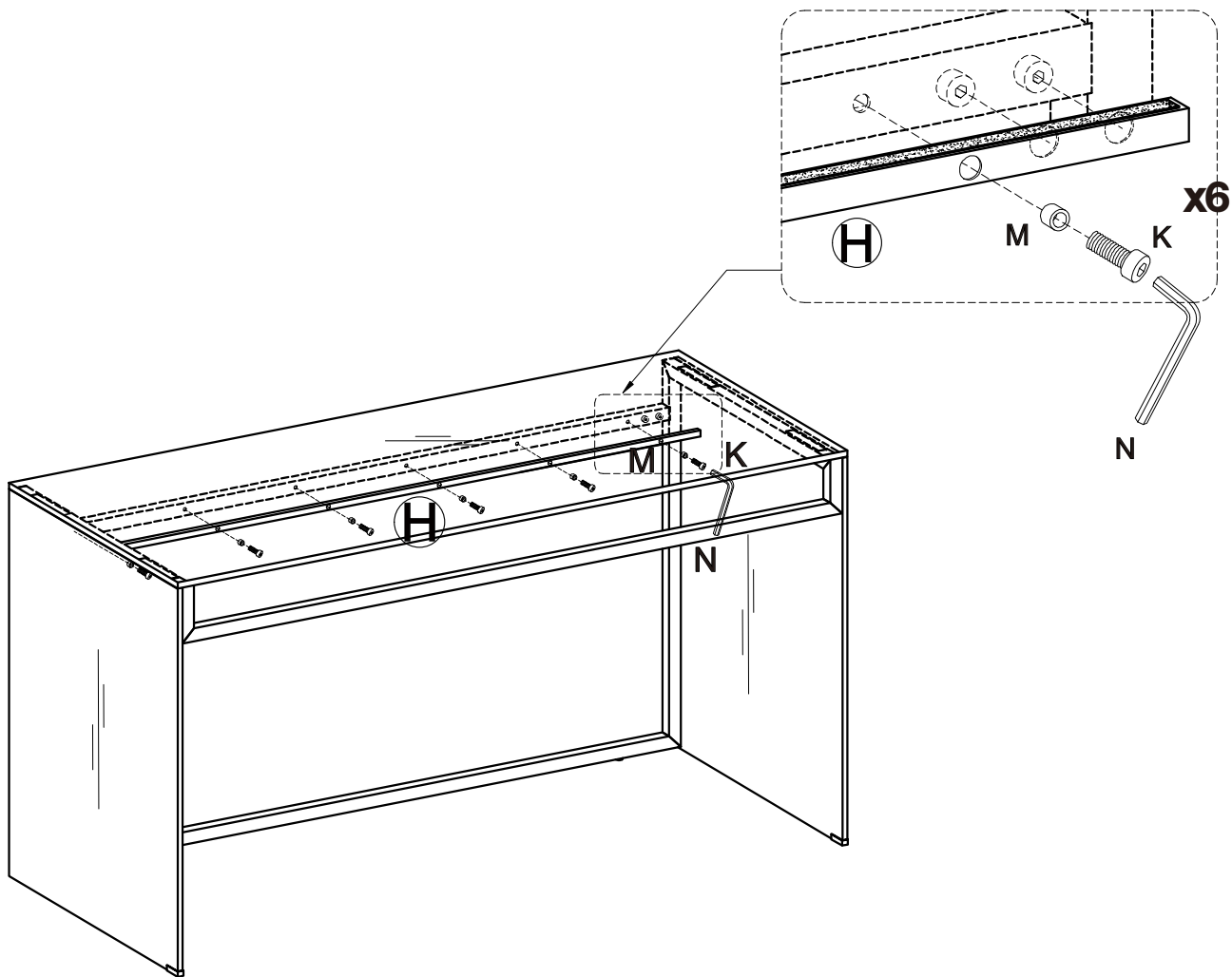


2

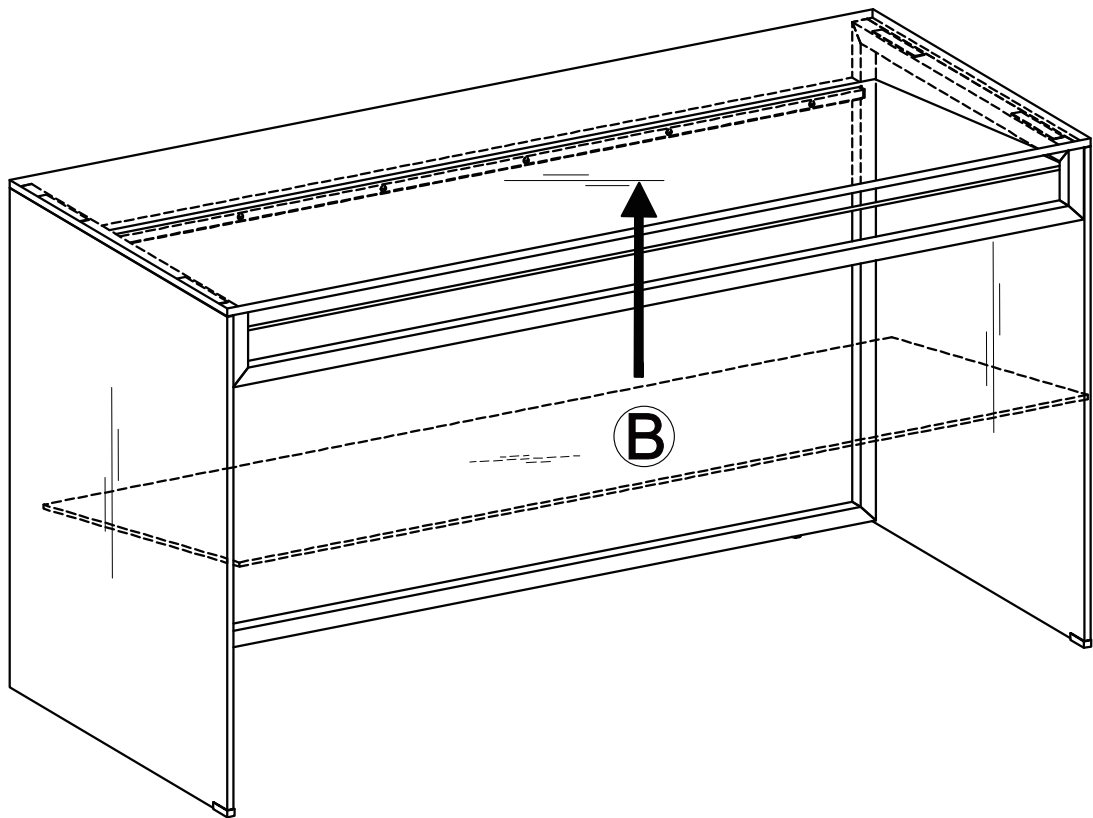


3




 K x6 M5x15mm	 M x6	 N x1 5mm
---	--	---

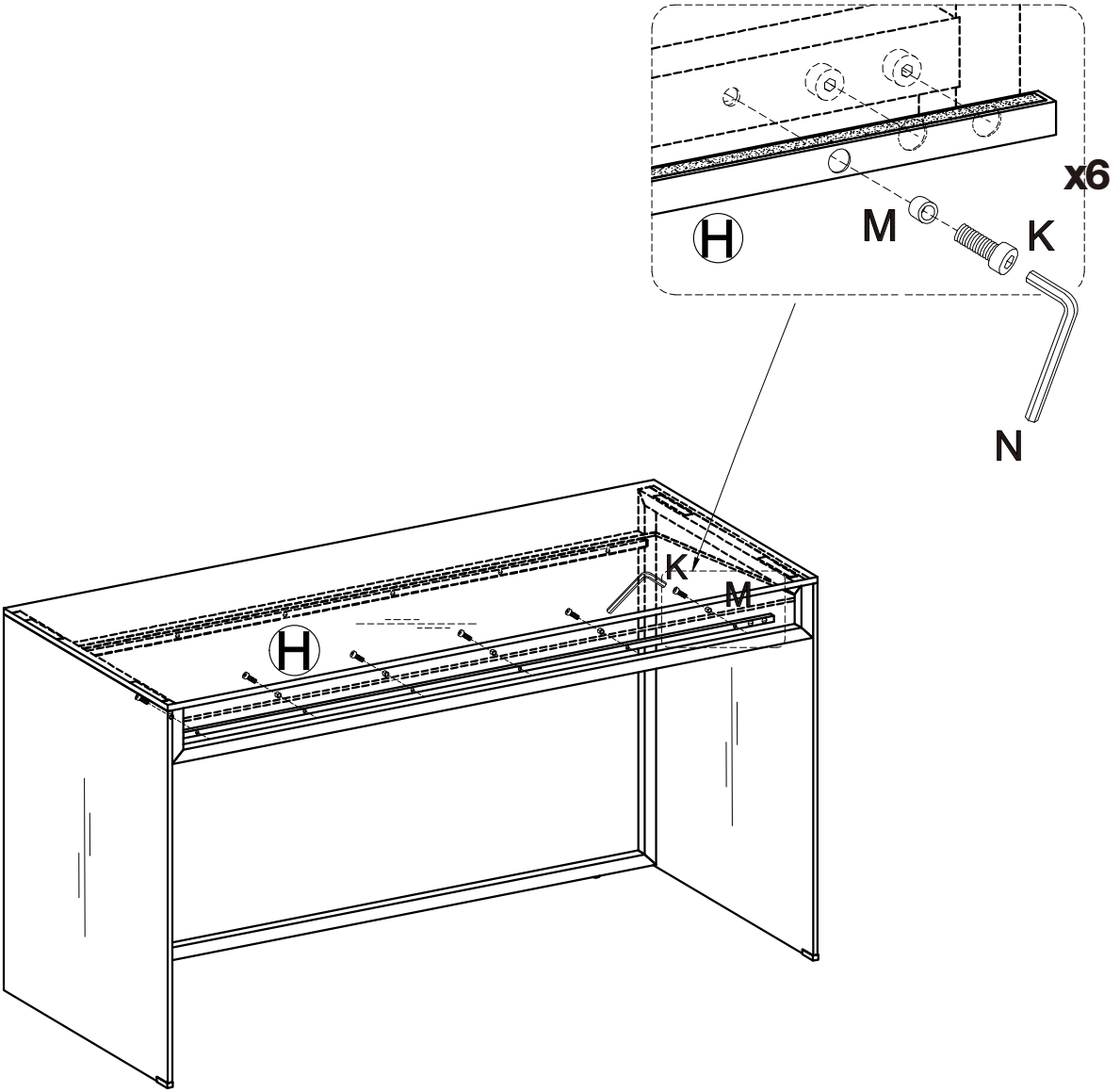


4

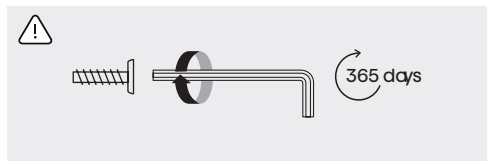
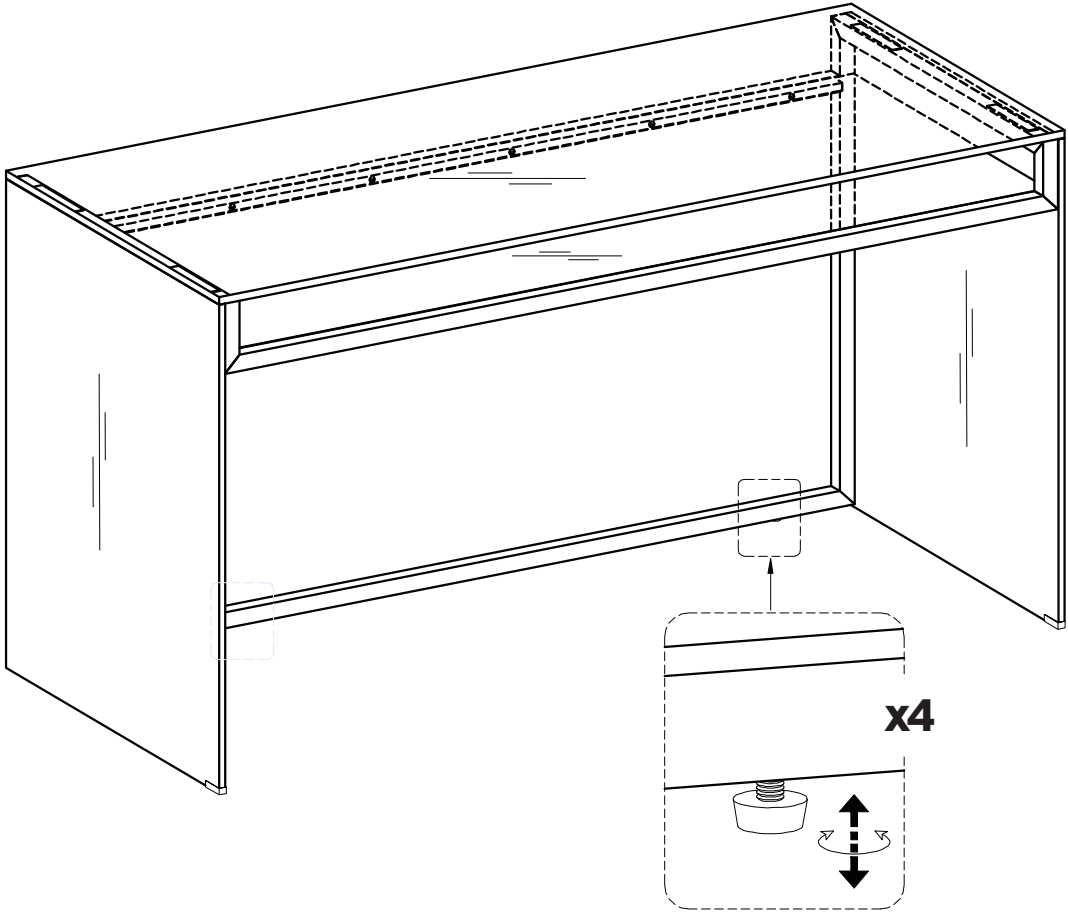
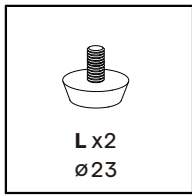


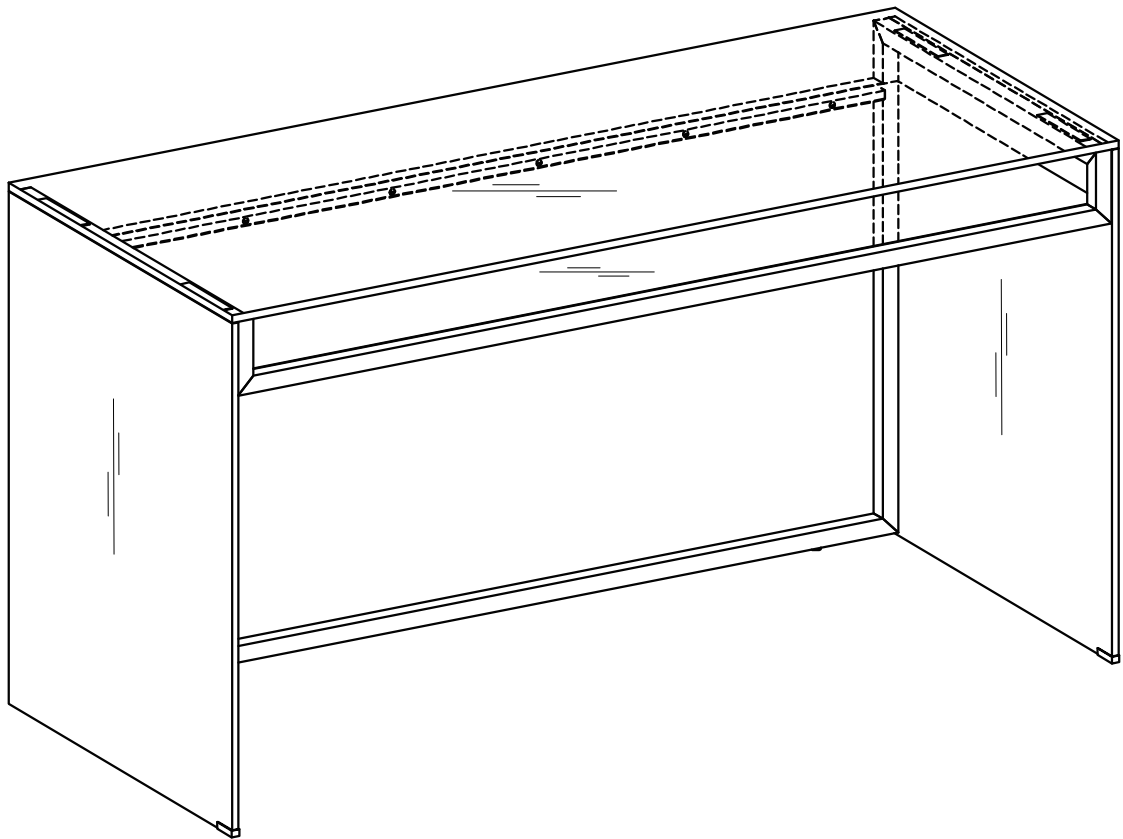
5

 K x6 M5 x15mm	 M x6	 N x1 5mm
--	--	---



6





Kave

Julià Grup Furniture Solutions S.L.

B-17616277

Pol. Ind. Bosc d'en Cuca

C/ Tallers, 14. 17410 Sils, Spain

contact@kavehome.com



IT: PAP 22, Carta.
Verifica le disposizioni del tuo comune.