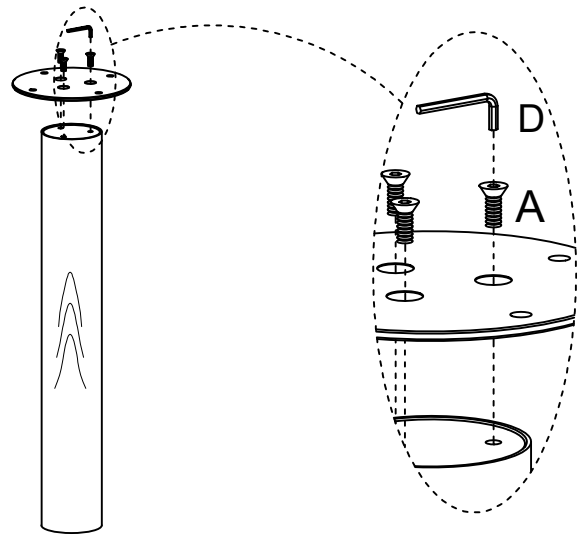
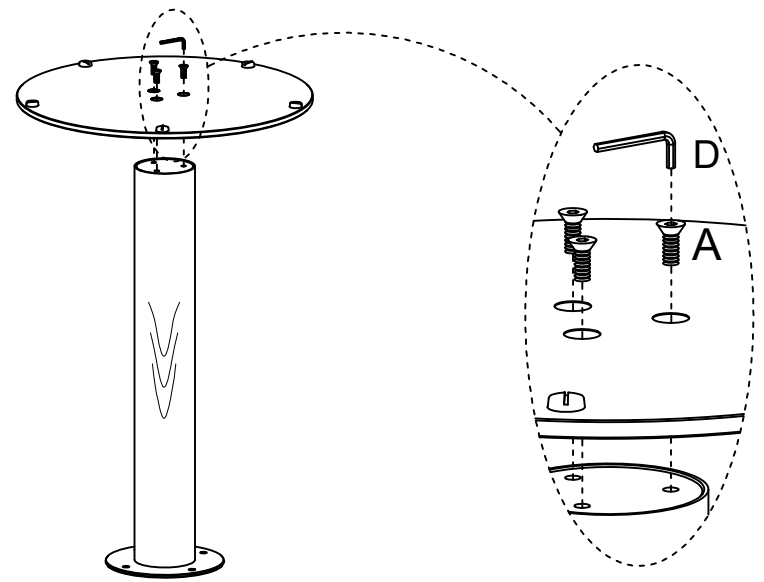


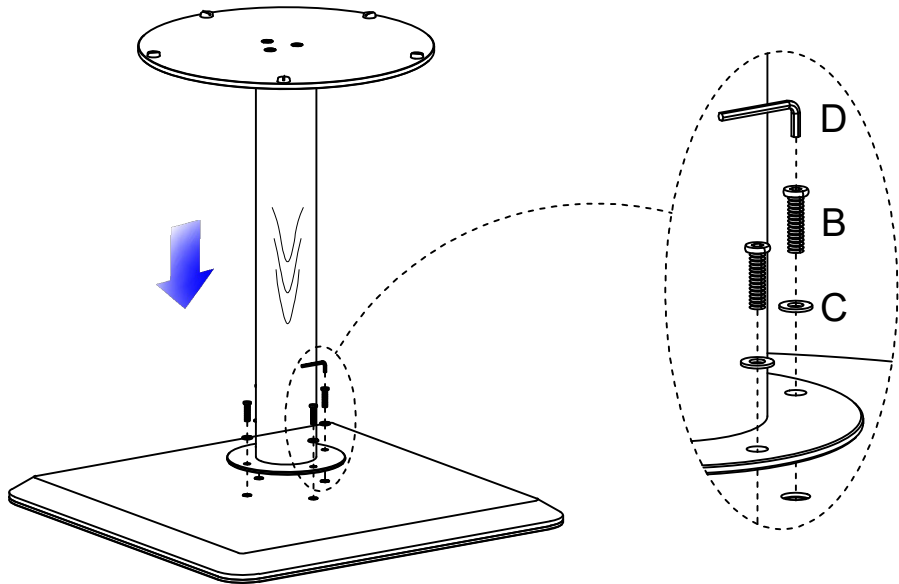
1



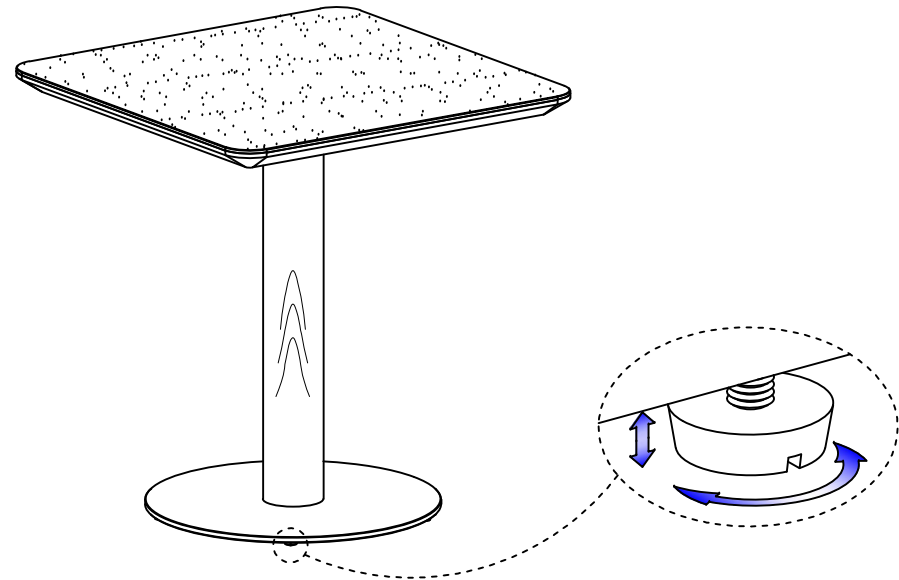
2



3



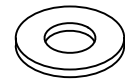
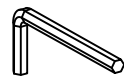


4



Richmond
INTERIORS

ITEM 216182

A	B	C	D
			
M8*25/5MM	M8*30/5MM	φ17*φ8*1.5	M5
6PCS	4PCS	4PCS	1PC

CERAMIC

Care & Maintenance Instructions

Clean spills immediately

Dab spills with a soft cloth to prevent spreading and potential staining.

Avoid harsh chemicals

Do not use acidic or abrasive cleaners like vinegar, lemon juice, or scrubbing sponges. Stick to mild, non-abrasive cleaning products.

Use soft materials

Clean with a soft microfiber cloth or sponge. For stubborn stains, use a damp cloth with mild soap.

Protect from heat and moisture

Use coasters or heat-resistant mats under hot items. Avoid placing wet or damp objects directly on ceramic surfaces.

Dust regularly

Wipe with a soft, lint-free cloth to prevent dust buildup and fine scratches.

Seal periodically

Ceramic surfaces come pre-sealed. Depending on use, resealing by a professional is recommended.

Prevent heavy impact

Ceramic can chip or crack. Avoid dropping or dragging heavy objects across the surface.

Indoor use only

This product is for indoor use. Outdoor exposure can cause damage.

Scratch sensitivity

Use placemats or tablecloths to protect against scratches. Avoid sharp or heavy items on the surface.

By following these simple steps, your ceramic furniture will remain elegant and well-maintained for years to come.

OAK VENEER

Care & Maintenance Instructions

Clean spills immediately

Oak veneer is a thin layer of real oak wood applied to a core material such as plywood or MDF. If spills occur, blot immediately with a soft cloth to prevent absorption. Avoid rubbing, as this may spread the liquid.

Avoid harsh chemicals

Do not use acidic or abrasive cleaners like ammonia or strong solvents. Stick to mild, non-abrasive cleaning products.

Use soft materials

Clean with a soft microfiber cloth. For stubborn stains, use a mixture of equal parts vinegar and water, then rinse with a damp cloth and dry thoroughly.

Protect from heat and moisture

Use coasters or heat-resistant mats under hot items. Avoid placing wet or damp objects directly on the veneer.

Dust regularly

Wipe with a soft, lint-free cloth to prevent dust buildup and scratches.

Seal periodically

Oak veneered tabletops come pre-sealed. Depending on use, resealing by a professional is recommended.

Prevent heavy impact

Avoid dropping or dragging heavy objects across the surface to prevent dents or damage.

Indoor use only

This product is for indoor use. Outdoor exposure can cause damage.

Scratch sensitivity

Use placemats or tablecloths to protect against scratches. Avoid sharp or heavy items on the surface.

By following these simple steps, your oak veneer furniture will remain beautiful and well-maintained for years to come.