

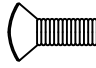
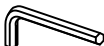
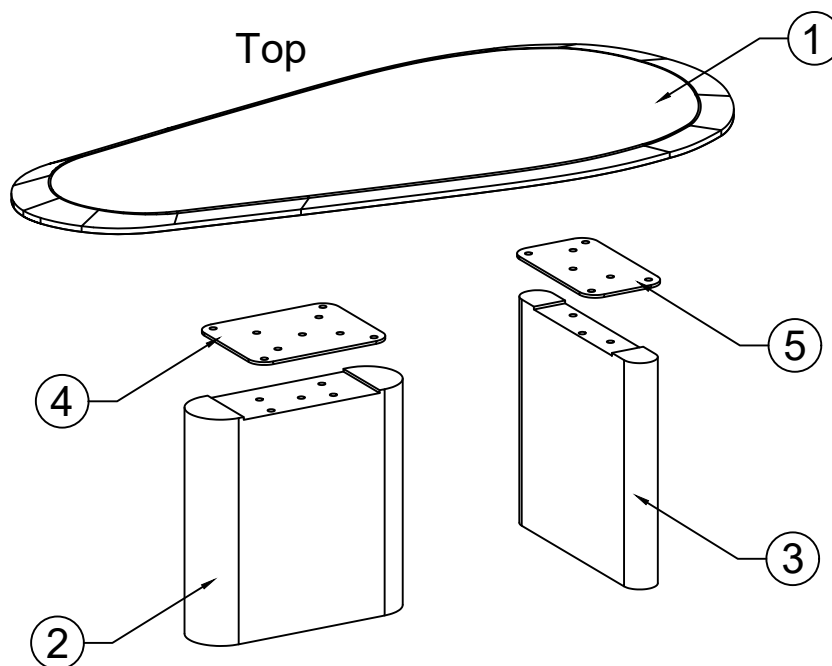
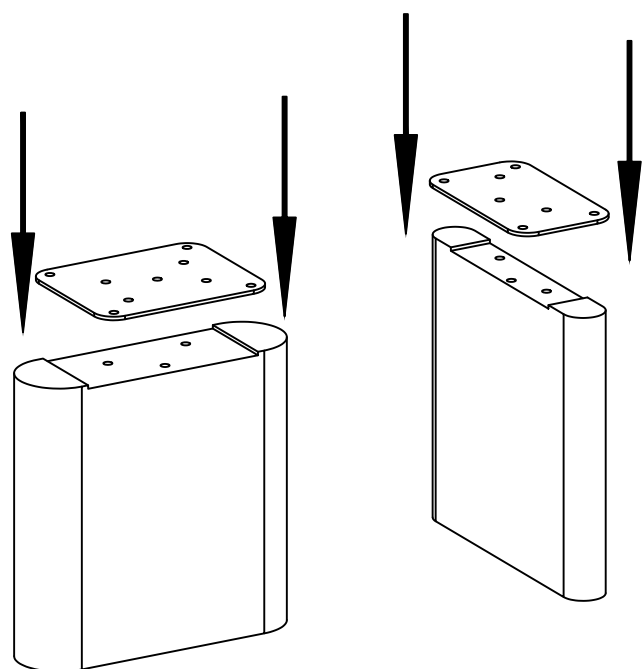


REF	DESCRIPTIONS	QTY	A. Flat Washer 8mm	B. Allen Bolt 6X20mm	C. Allen Bolt 6X16mm	D. Allen Key 4mm
1.	TABLE TOP	1				
2.	LEG A	2				
3.	LEG B	1	8+1Extra	8+1Extra	8+1Extra	1 Pc.
4.	METAL PLATE A	2				
5.	METAL PLATE B	1				

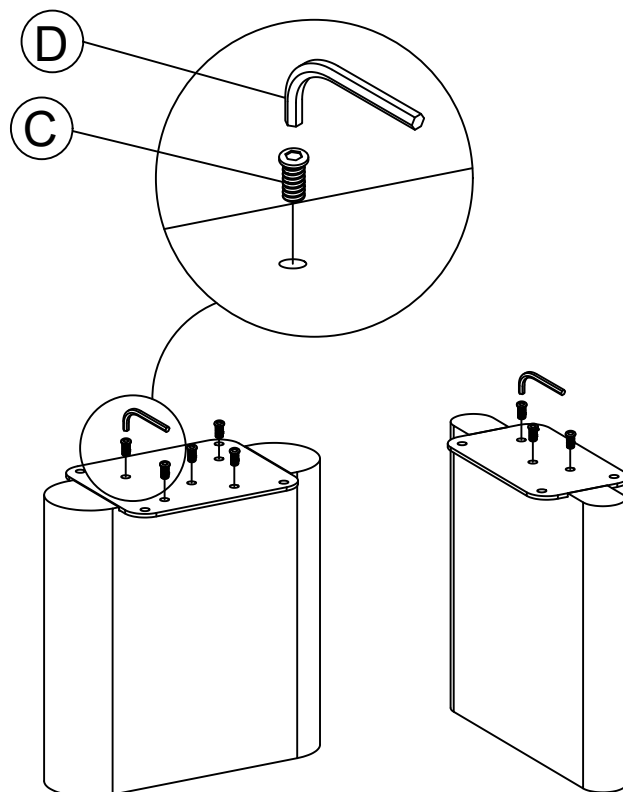
PARTS



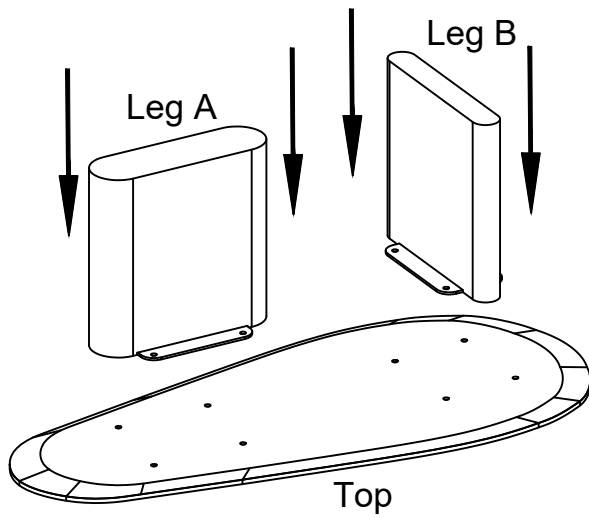
Step 1.



Step 2.

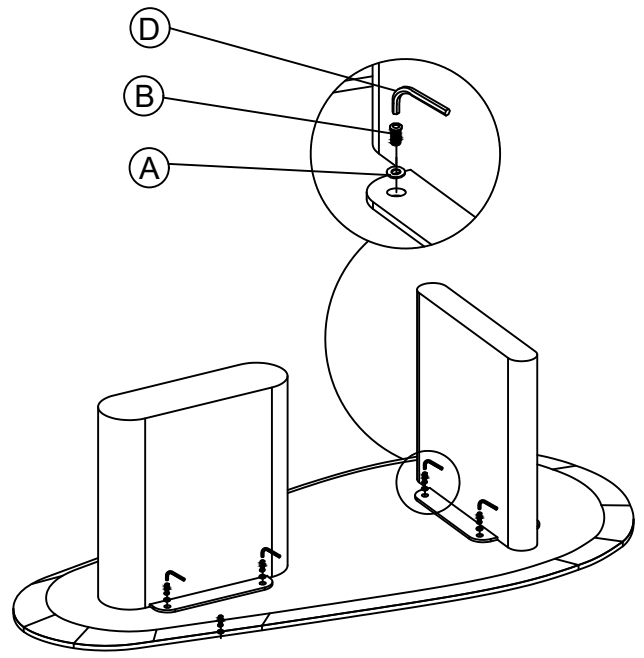


Step 3.

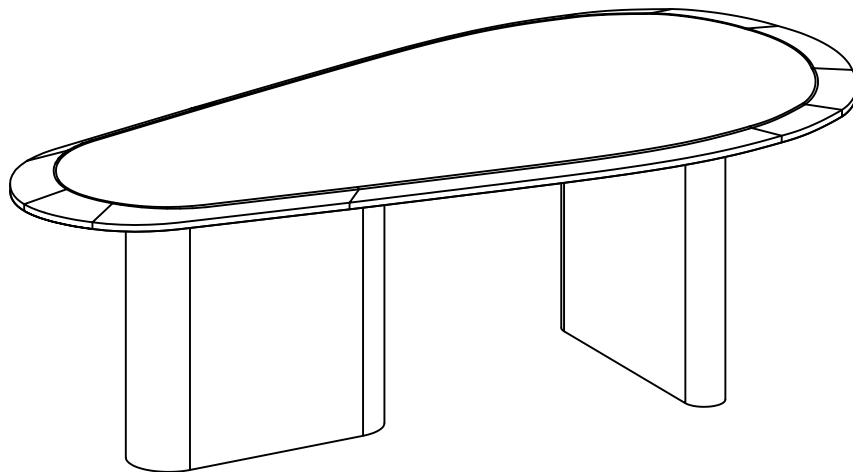


Note :- Place top on a clean and dry surface.

Step 4.



Finish.



The Table is now ready to use.