




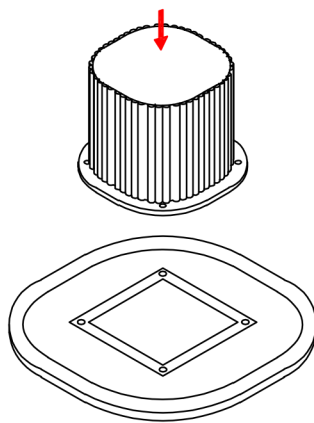
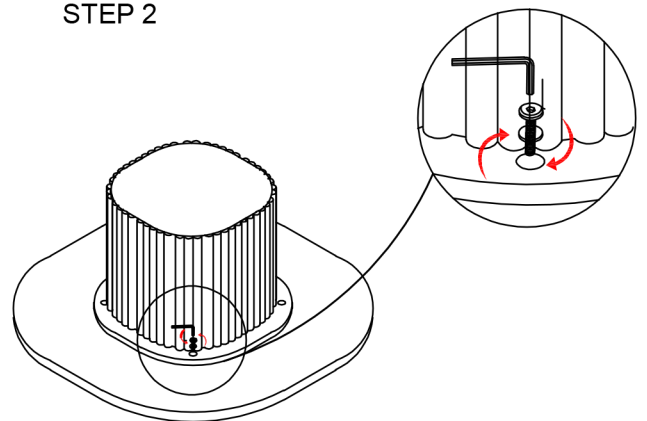


PARTS	QUANTITY
A. MARBLE TOP 	1
B. MARBLE BASE 	1
C. ALLEN BOLT <small>(8x20 mm)</small> 	4
D. ALLEN KEY 	1
E. WASHER 	4

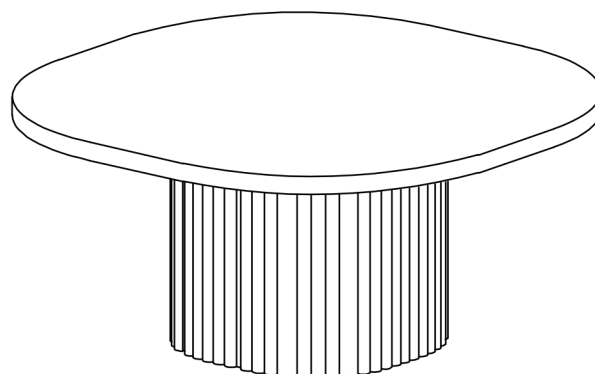
STEP 1



STEP 2



STEP 3



NOTES:- UNIT SHOULD BE ASSEMBLED BY 2 PERSON