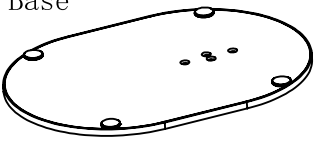
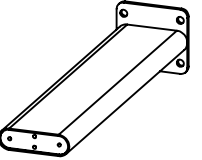

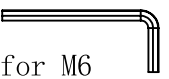
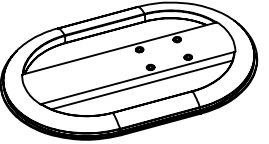




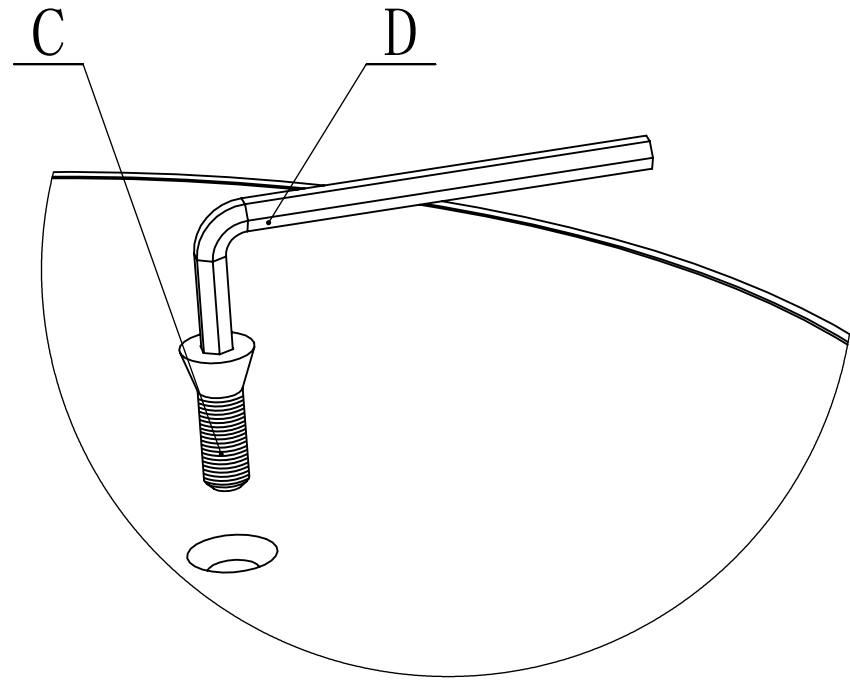
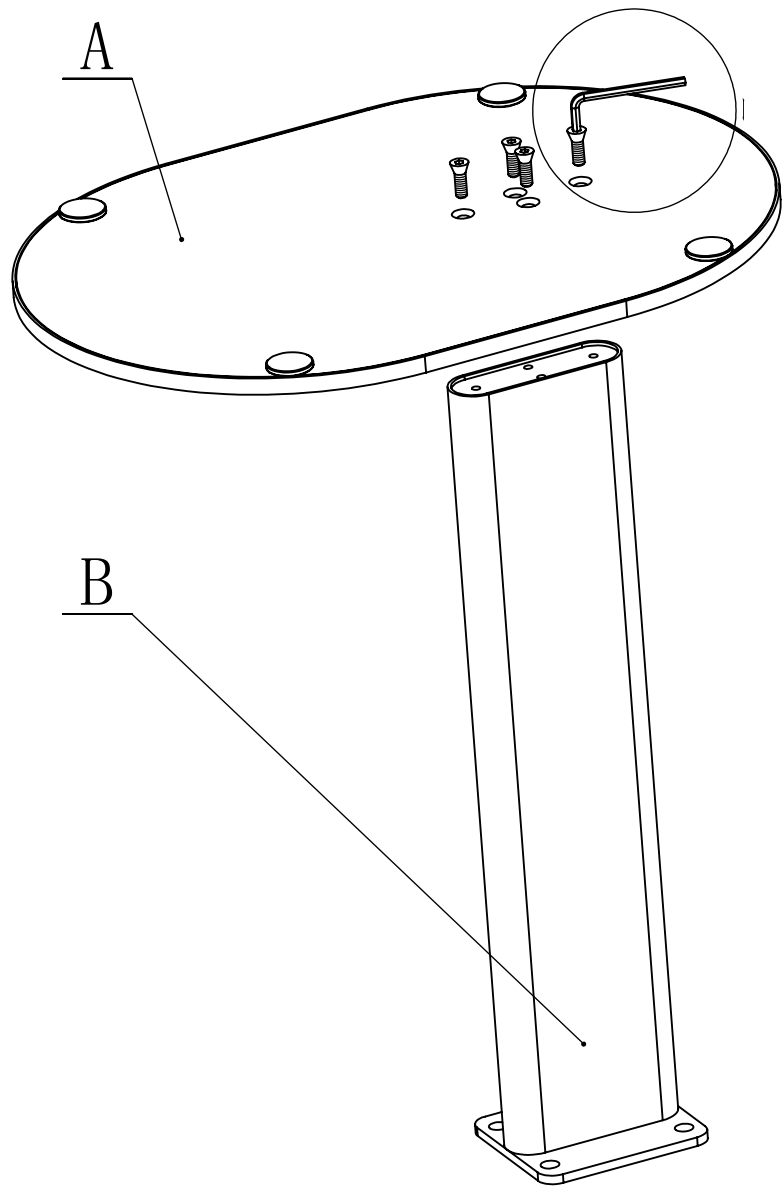


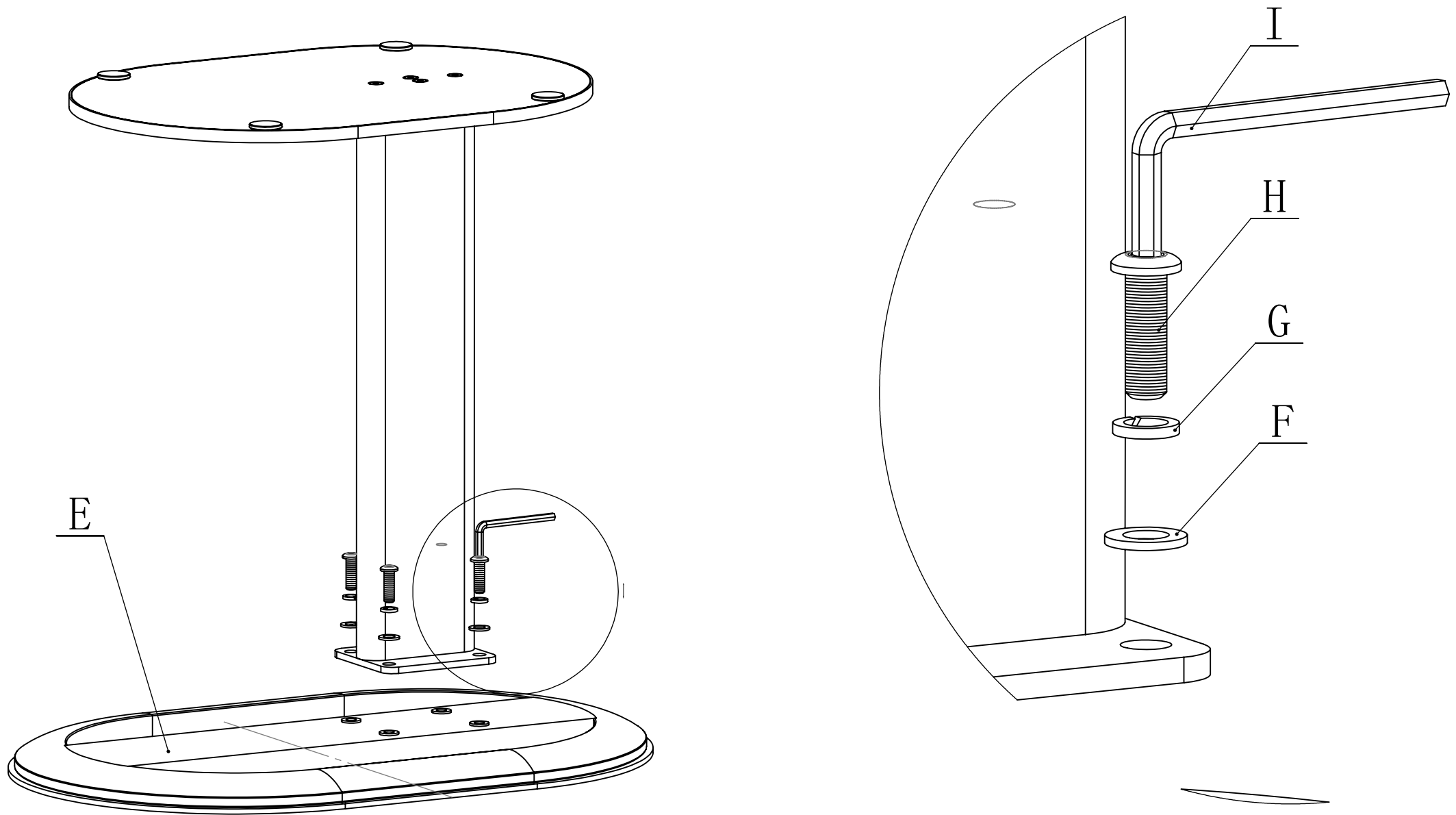


## PARTS INVENTORY

ID	DESCRIPTION	QTY
A	Base 	1
B	Leg 	1
C	Countersunk bolt M6*20 	4+1
D	Allen key for M6 	1
E	Top 	1
F	M8 Washer 	4+1
G	M8 Lock washer 	4+1
H	M8*25 Bolt 	4+1
I	Allen key for M8 	1



PS: Rotate all bolts to 80% first,  
then rotate all bolts to 100%.



PS: Rotate all bolts to 80% first,  
then rotate all bolts to 100%.