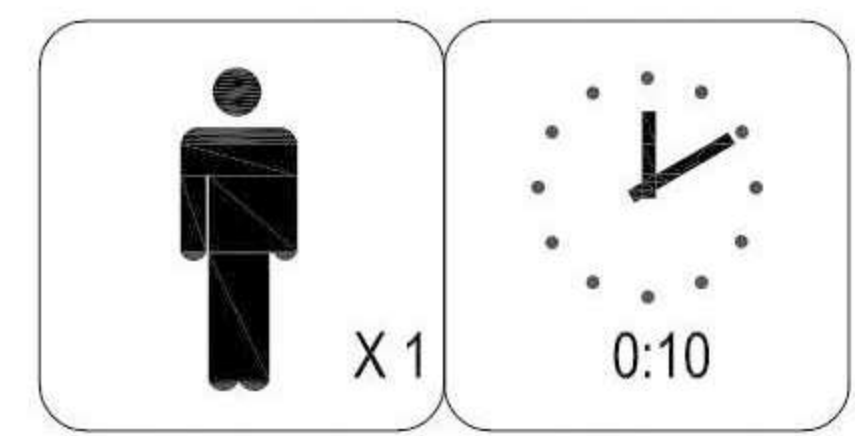
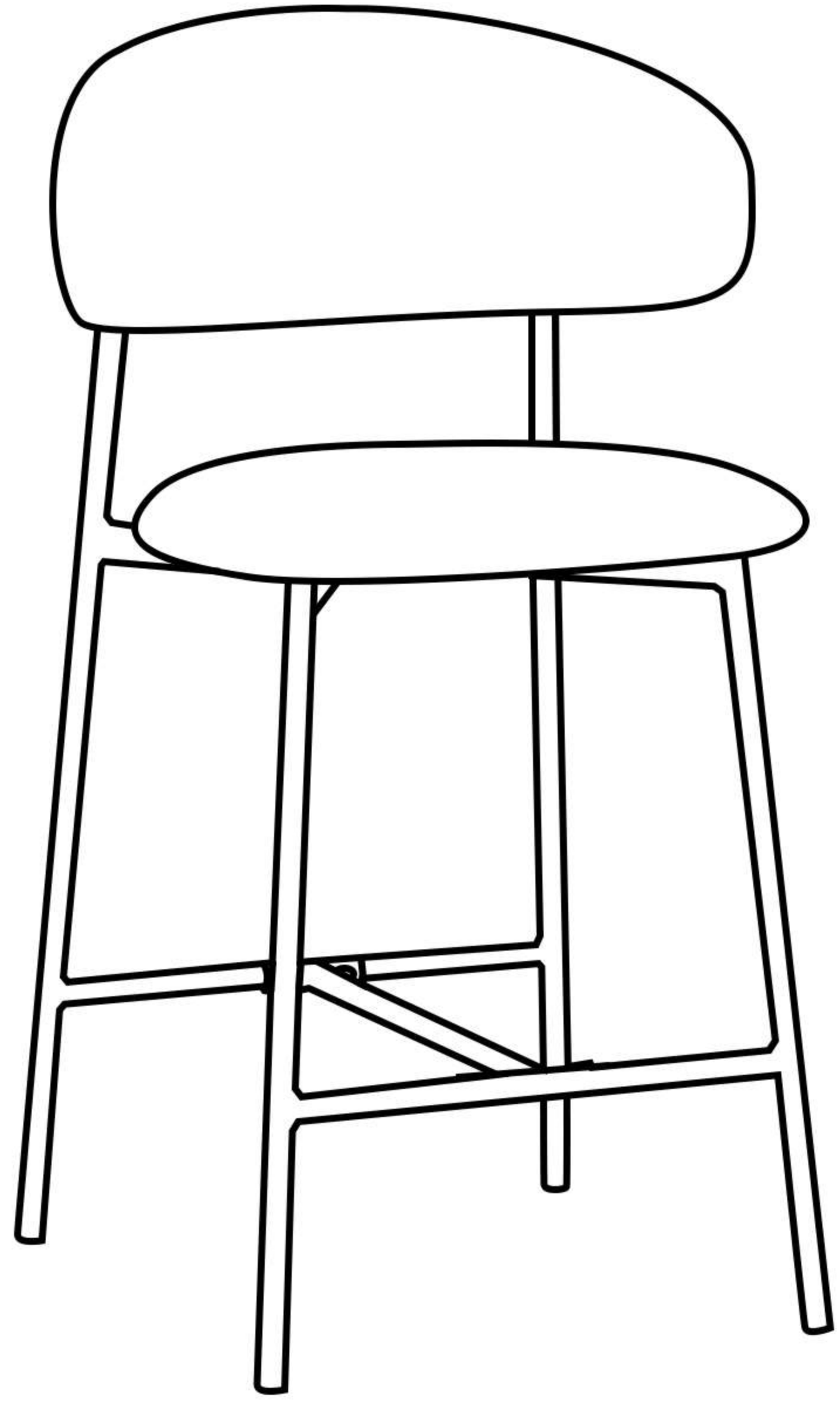


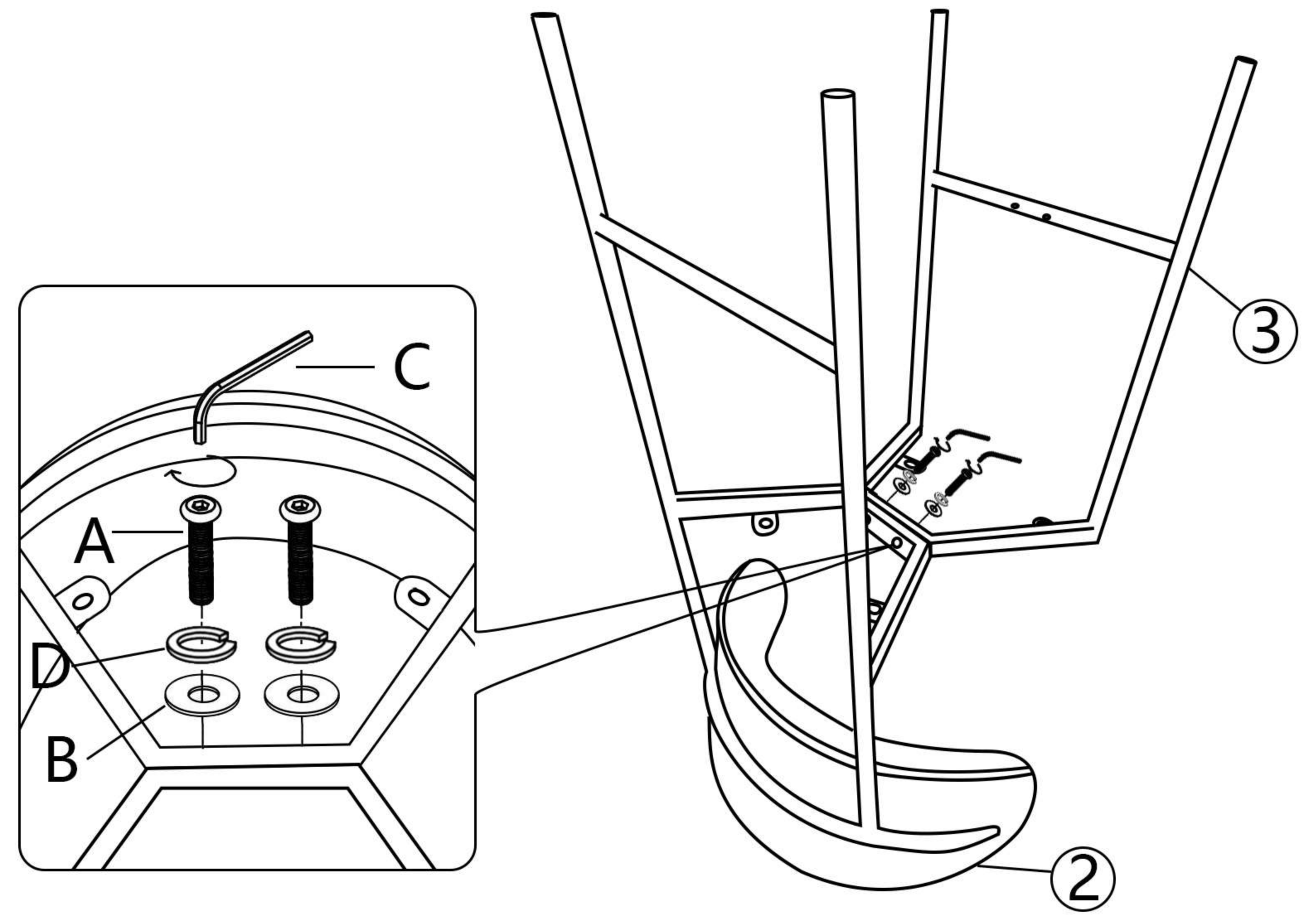
# ASSEMBLY INSTRUCTIONS

BAR CHAIR MODEL#:1001155



①  X1	②  X1	③  X1	④  X1	
A  X2	B  X6	C  X1	D  X2	E  X4
F  X4				

1



2

