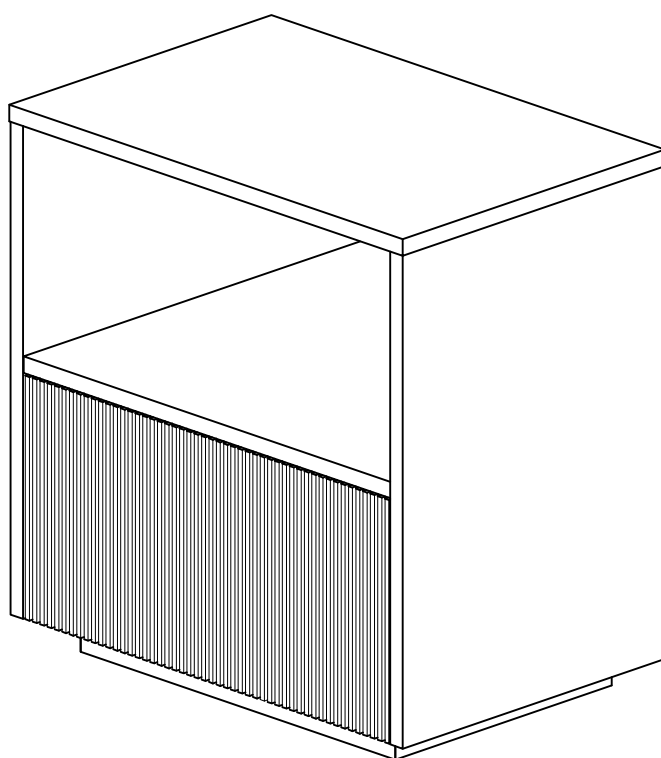
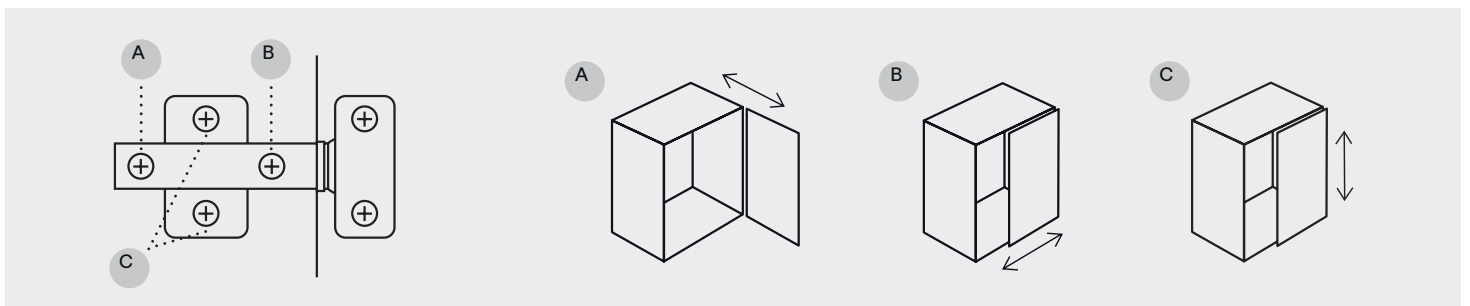
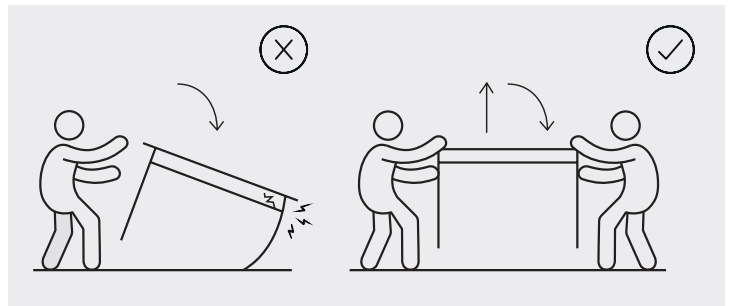
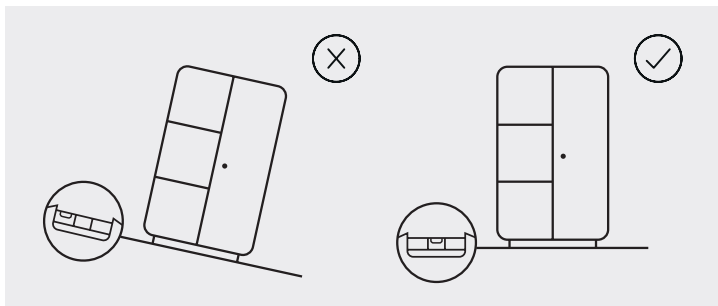
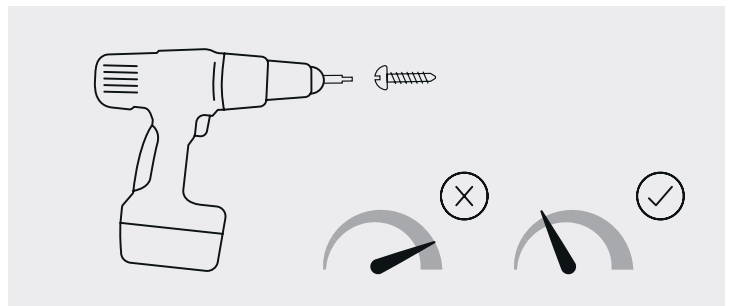
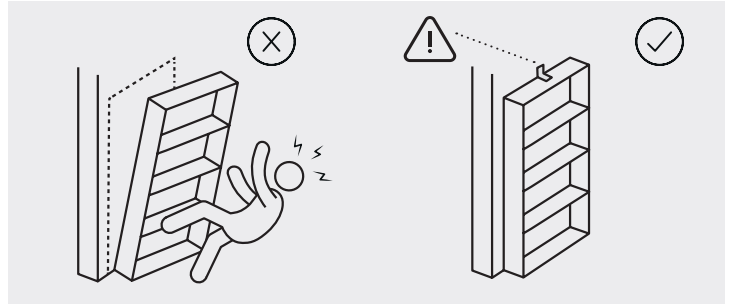
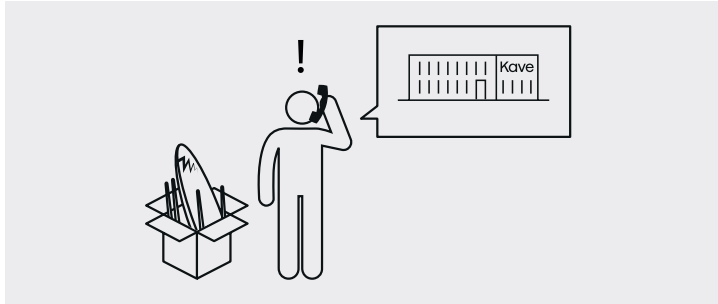
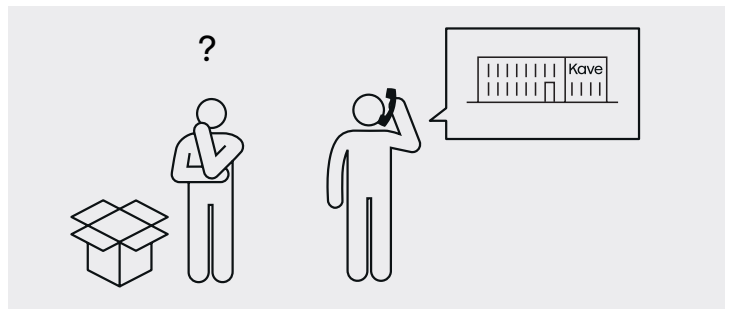
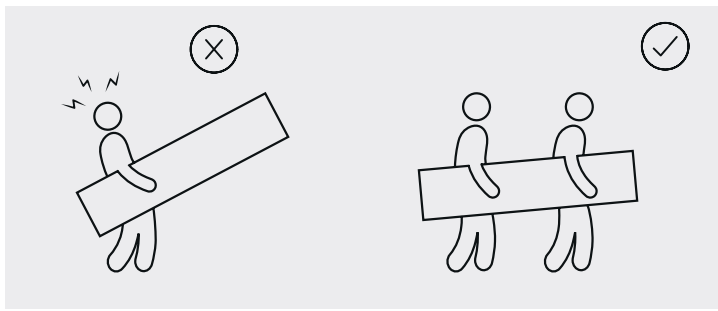


# Helvine



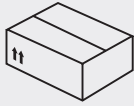
Kave

ED01





30 min



x1



x2



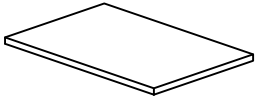
x1



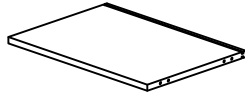
x1



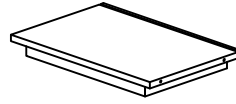
x1



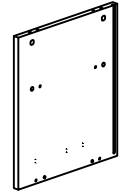
A x1



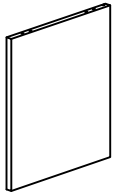
B x1



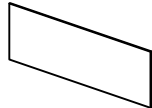
C x1



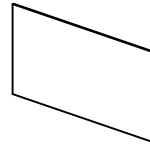
D x1



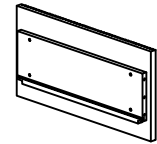
E x1



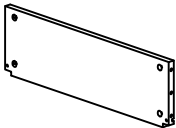
F x1



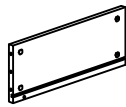
G x1



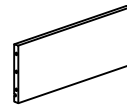
H x1



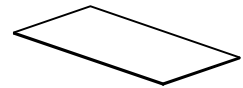
I x1



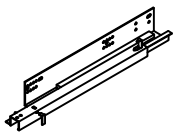
J x1



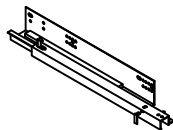
K x1



L x1



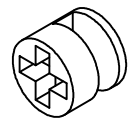
M x1



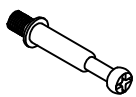
N x1



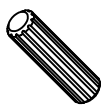
O x12  
7 x 3.5 x 15mm



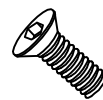
P x20



Q x20



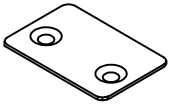
R x16  
8 x 30mm



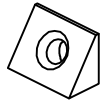
S x8



T x1



U x 4



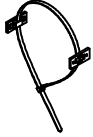
V x 12



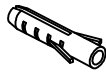
W x 12  
6 x 3 x 18mm



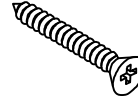
X x 12



Y x 1



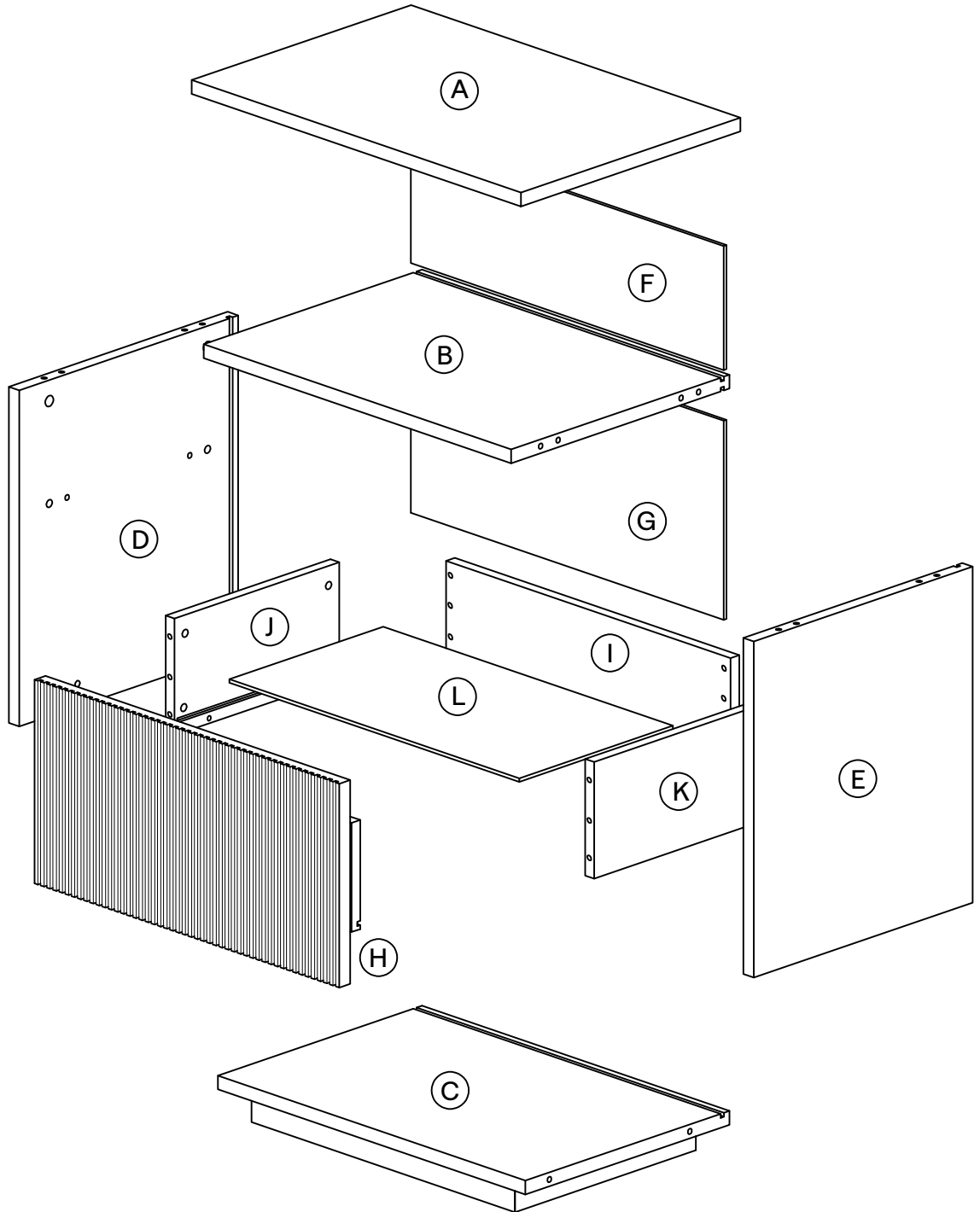
Z x 2  
8 x 38



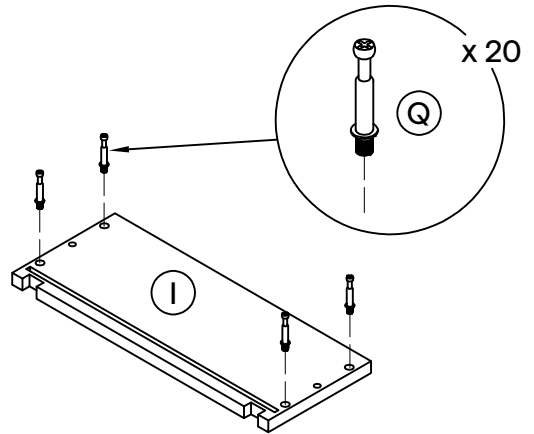
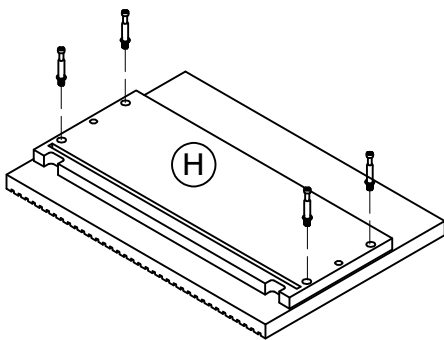
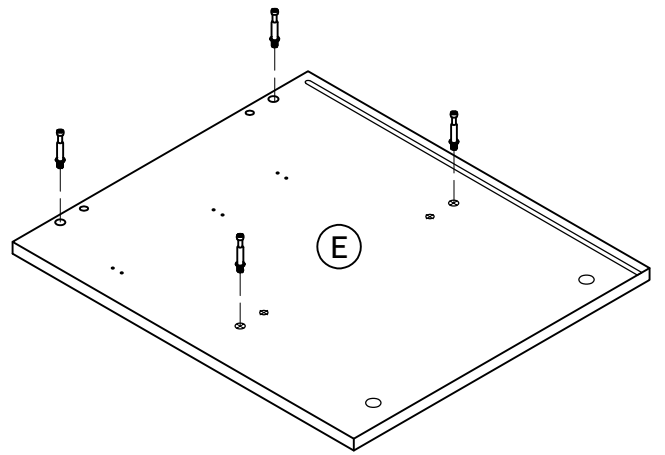
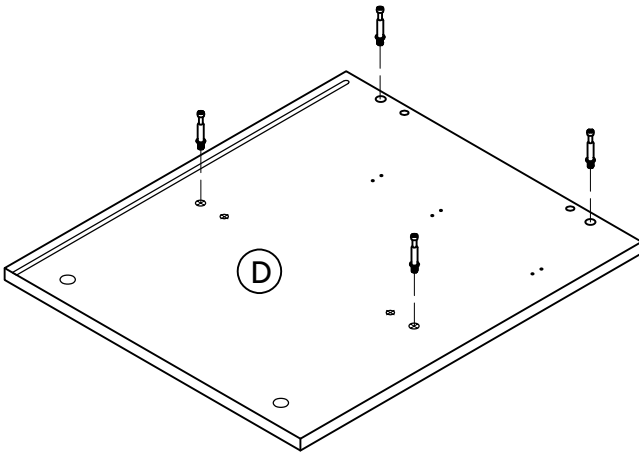
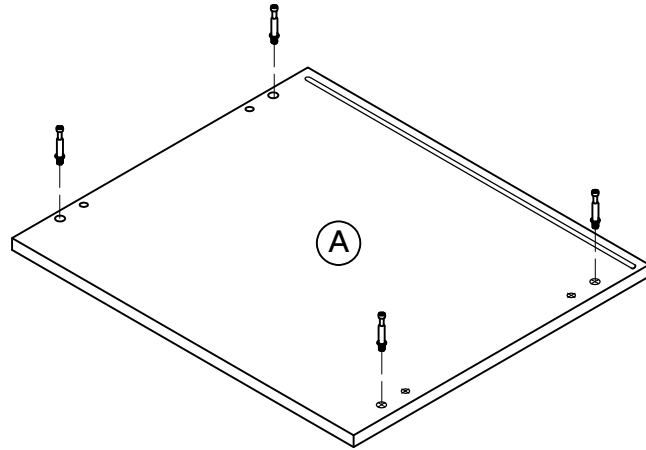
AA x 2  
7 x 4 x 38mm



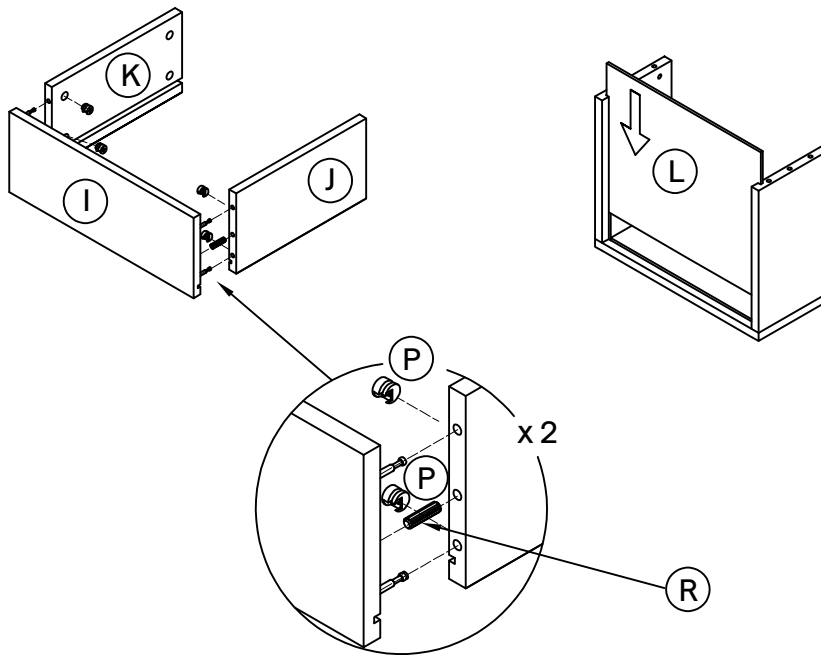
AB x 2  
7 x 3.5 x 18mm



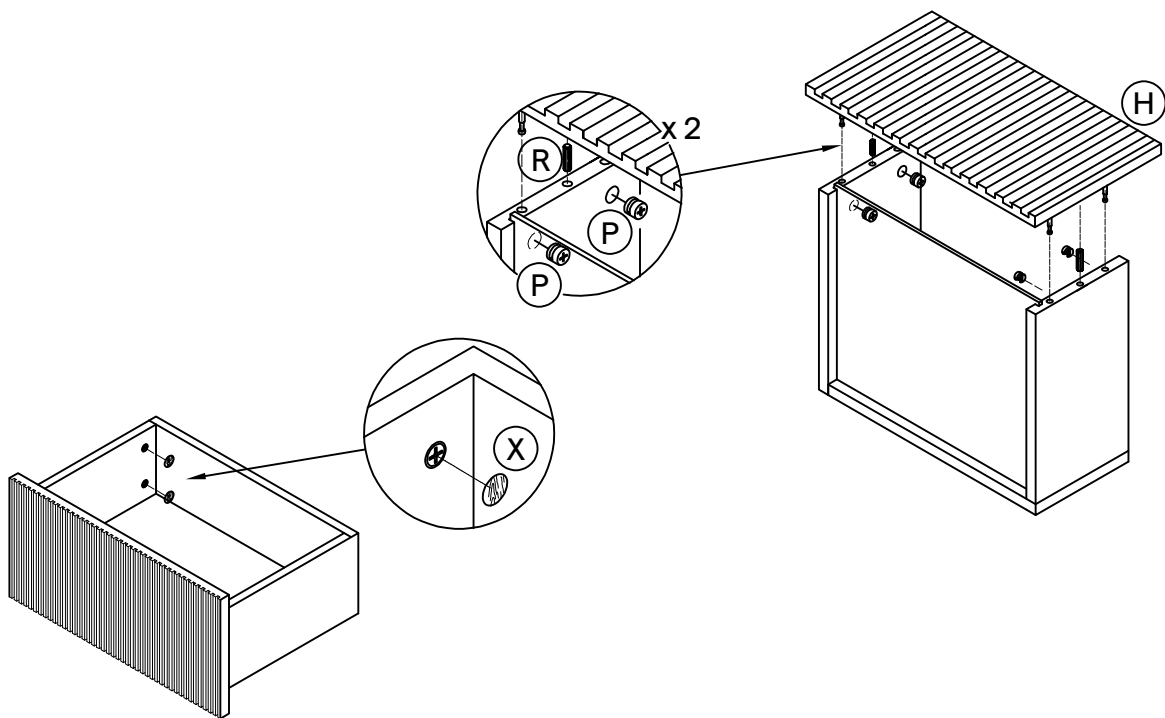
1



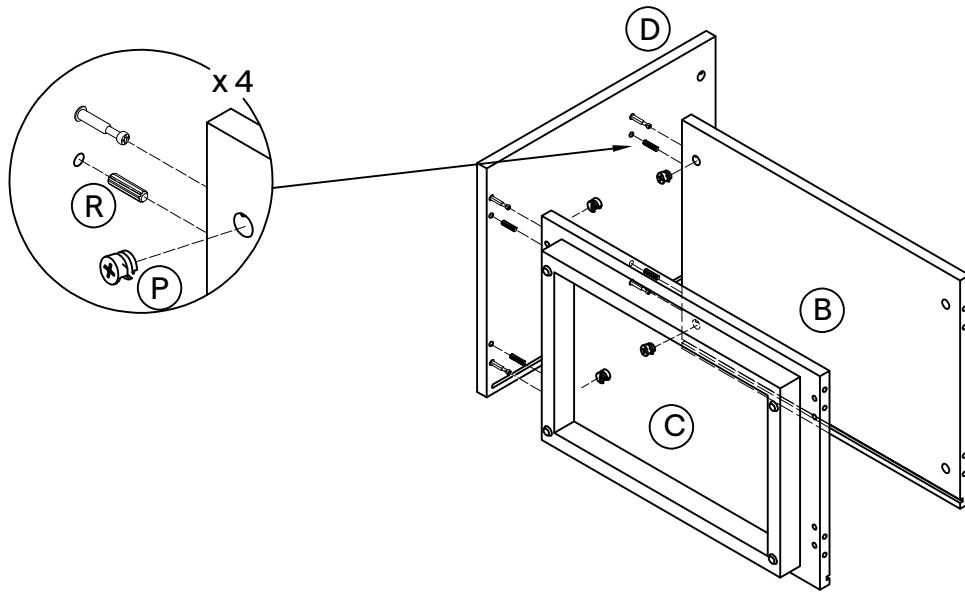
2



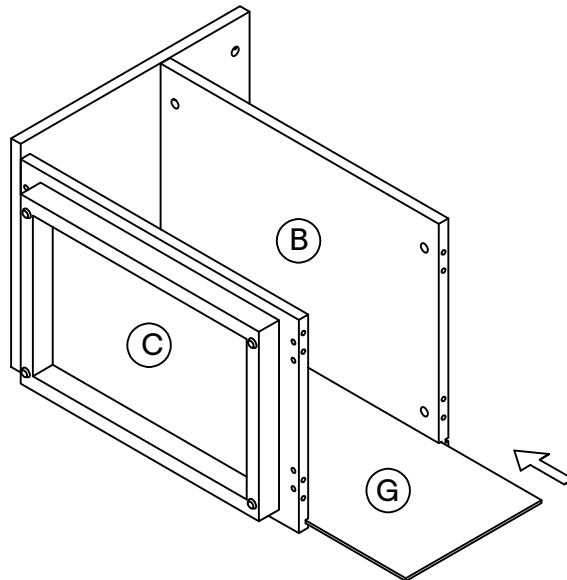
3



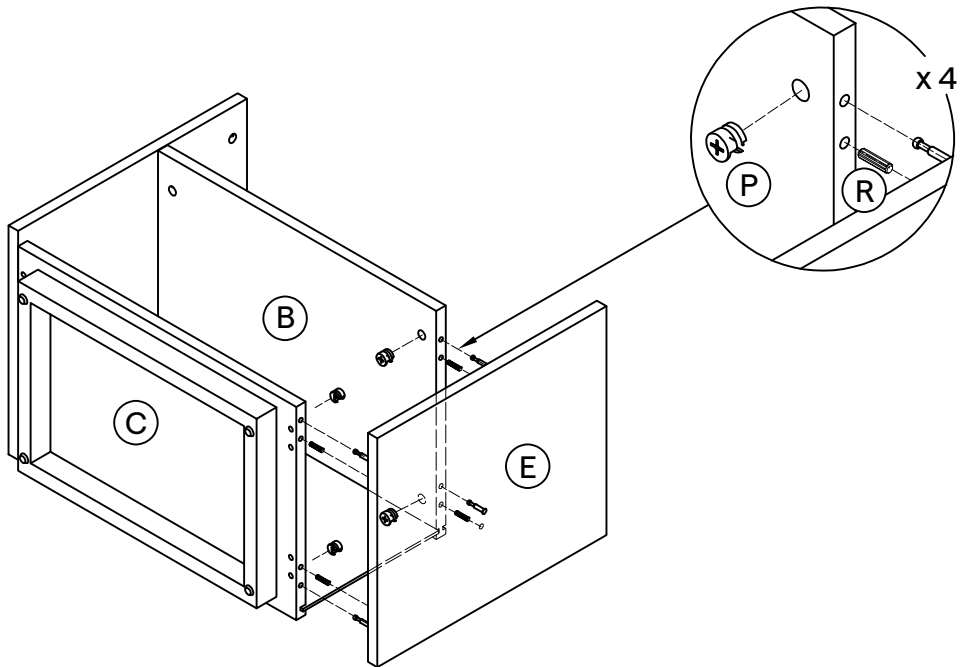
4



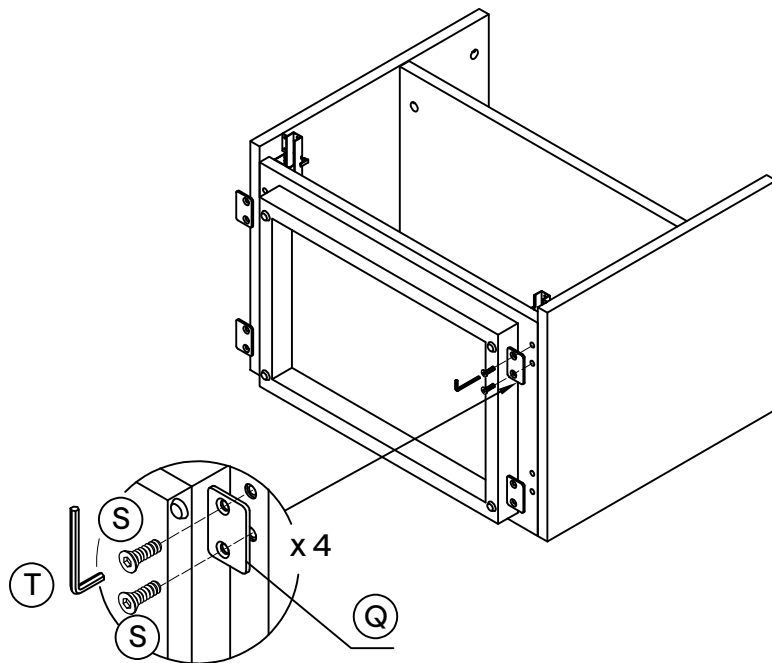
5



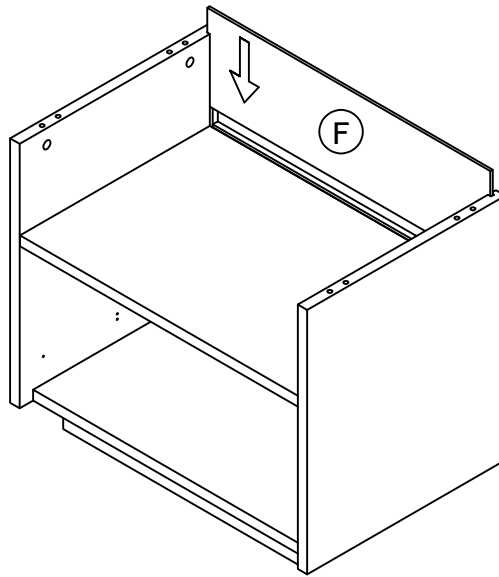
6



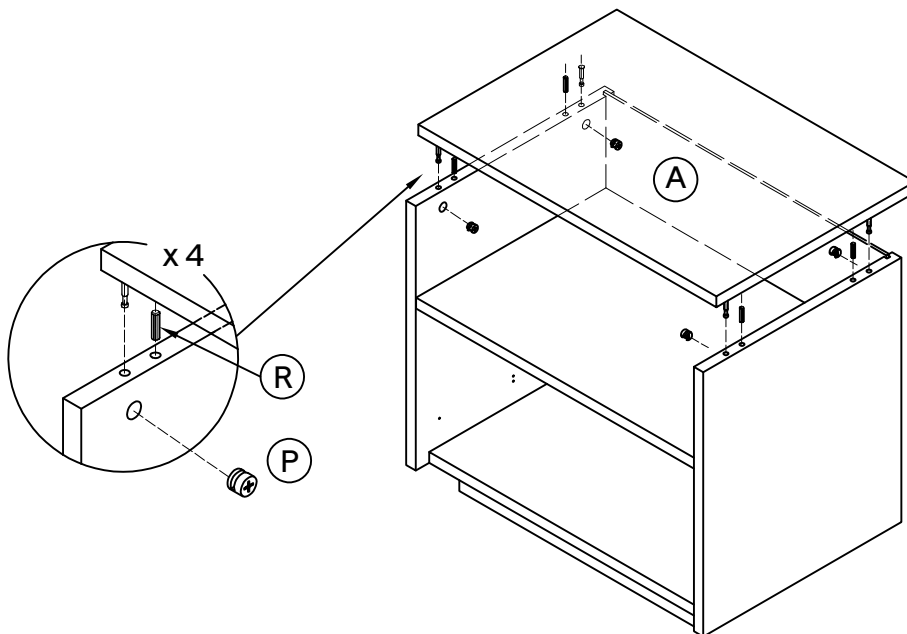
7



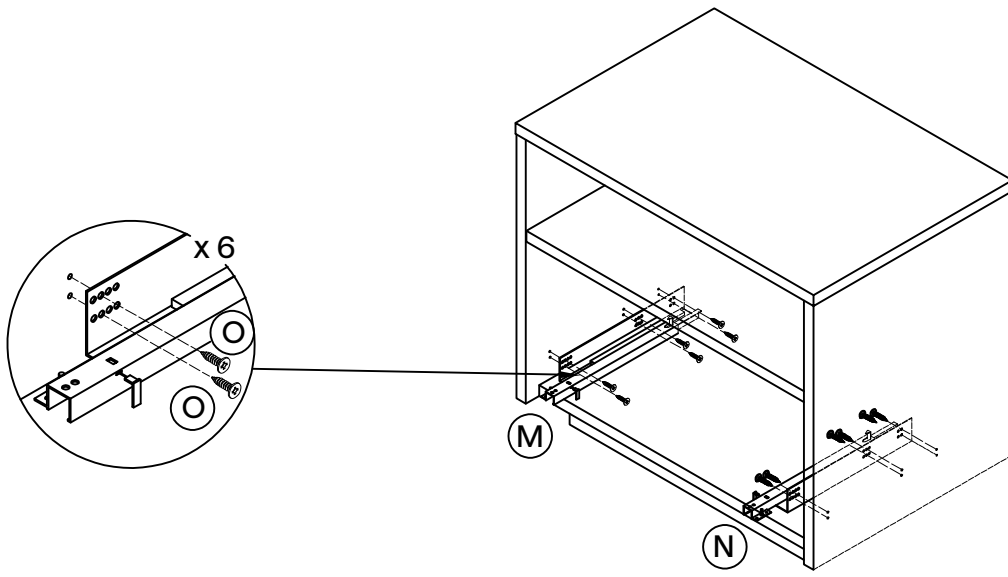
8



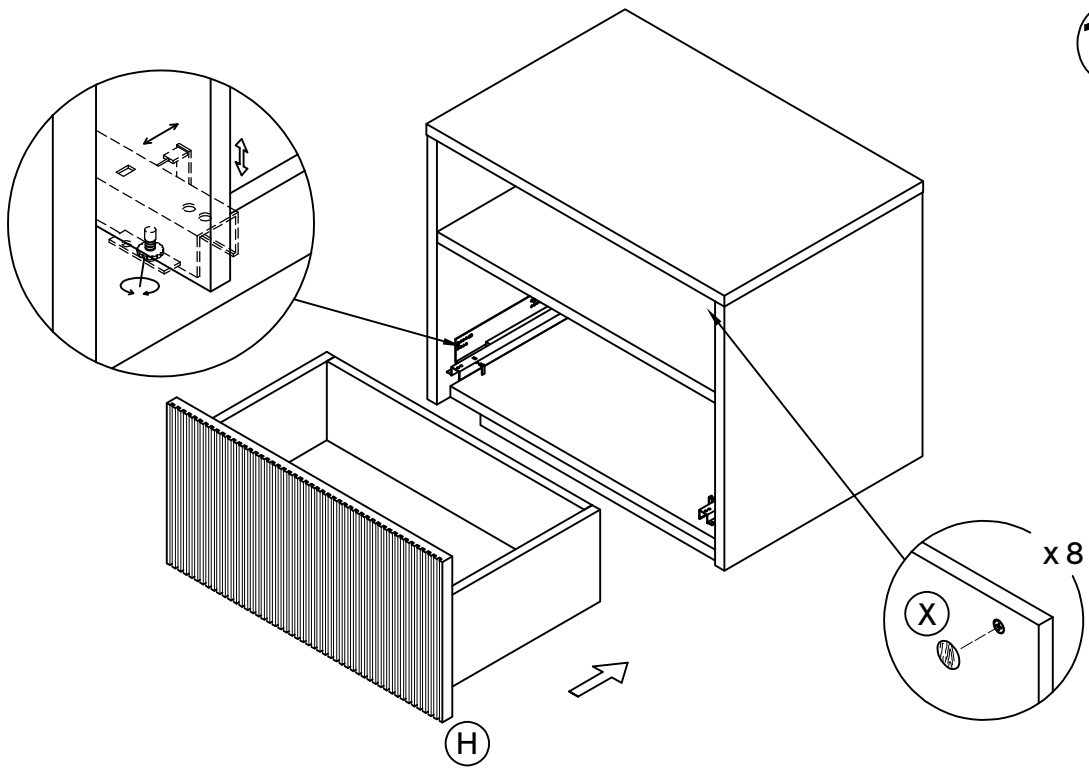
9



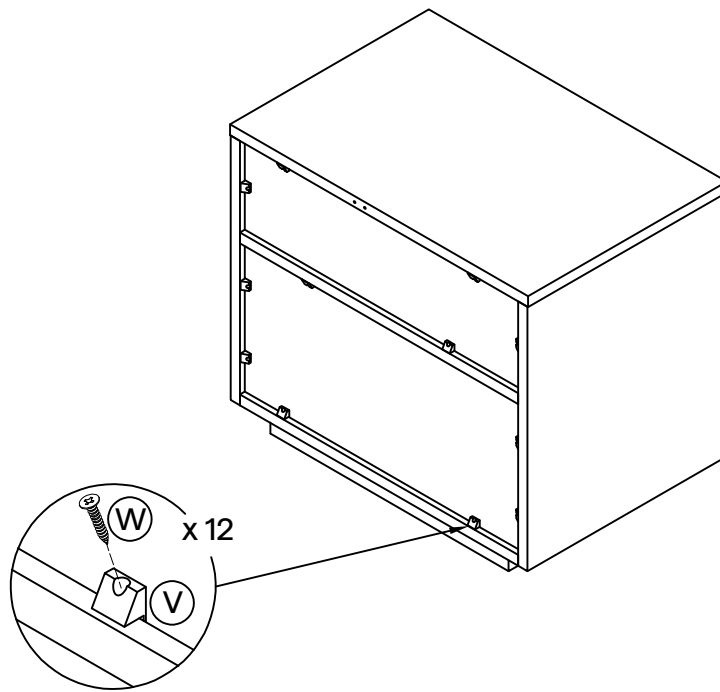
10



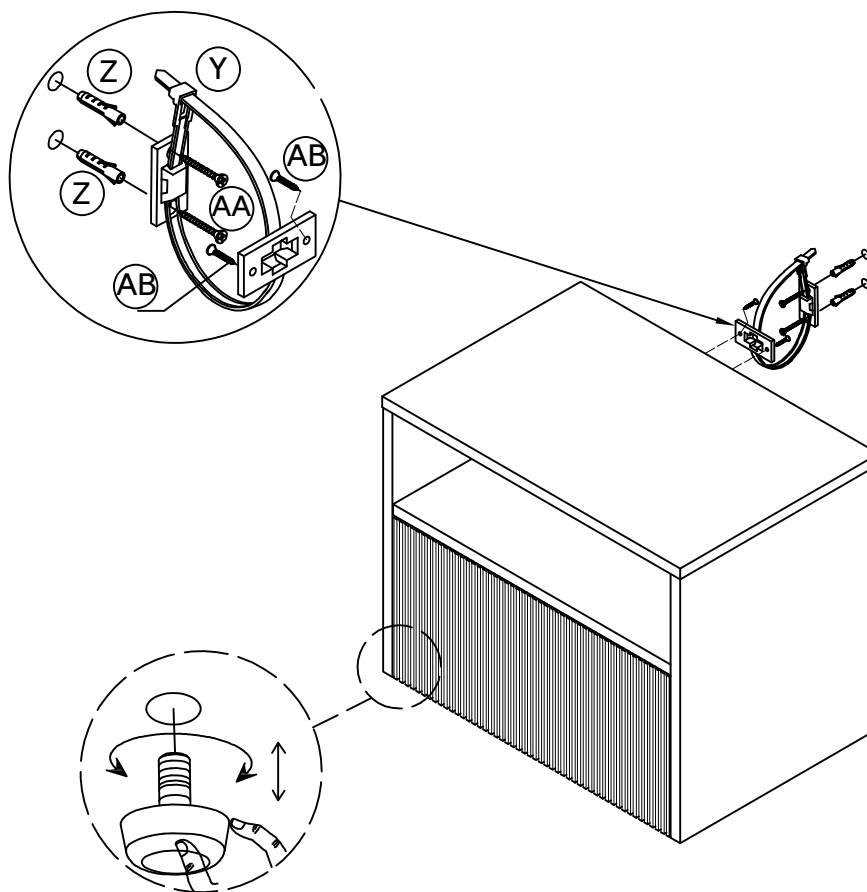
11

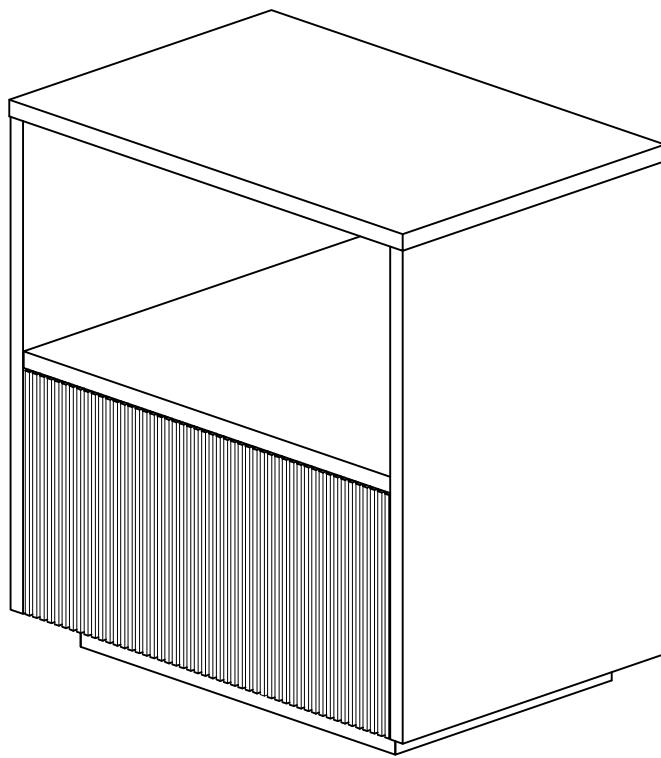


12



13









# Kave

**Julià Grup Furniture Solutions S.L.**

B-17616277

Pol. Ind. Bosc d'en Cuca  
C/ Tallers, 14. 17410 Sils, Spain  
contact@kavehome.com



**IT: PAP 22, Carta.**  
Verifica le disposizioni del tuo comune.