

noo.ma



Hett Dining Table

Product Fact Sheet

[Go to product page](#)

Available Colors



Oak

-
SKU: FUR2501

Product description

Say hi to Hett Table - an exquisitely minimal piece, useful as a dining room table or as a spacious office desk. Thanks to the carefully balanced proportions and pleasant to touch veneer structure, Hett brings serene atmosphere and visual unity to every tasteful dining room, regardless of its style.

Designed by: noo.ma team / Anna Pietkun, Zuzanna Muszalska, Damian Goliński

Dimensions:

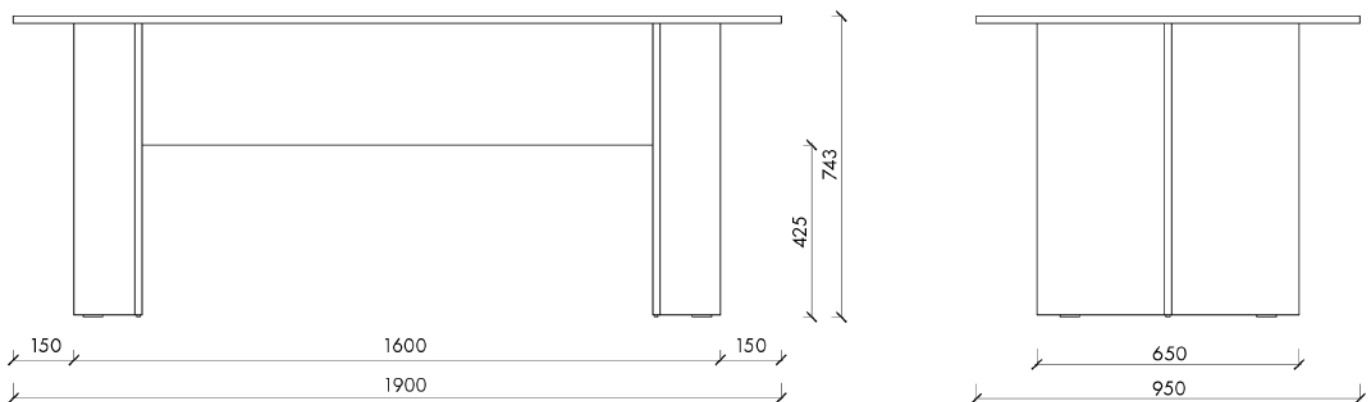
H: 74.3 cm / W: 190 cm / D: 95 cm

Total weight: 35 kg

Production: Made in Poland

Category: Dining Tables

Dimensions (mm)



Materials:

Oak veneer / particle board

Finish:

Water-based transparent matt lacquer

Additional information:

- easy to assembly
- always use coasters or table mats to protect the surface from hot or cold items
- UV-hardened veneer top
- always use coasters or table mats to protect the surface from hot or cold items
- maximum load: 50 kg

3D Models:

[Click here to download 3D models](#)

Care Guide:

[Click here to download Care Guide](#)

Packaging: This furniture is flat-packed to assure security during transportation, easy lifting and carrying as well as reduce its carbon footprint. The packaging itself is also eco-friendly with almost zero use of plastic.

Assembly: All of our furniture are preassembled which means that all the pieces are already ready to use. Final assembly is simply connecting these pieces together.

Delivery time: Most likely we own a stock of this product and it is usually shipped within 48h. If it is not available on stock the delivery time may take up to 6 weeks. All products from one order are being shipped together unless otherwise stated.

Shipping & Delivery: noo.ma uses the services of most common delivery companies, such as DHL, UPS and FedEx. The service includes a delivery in one package directly to your home/office with carrying up stairs.

Contact us

Need our help? Contact us at support@noo.ma.
Visit www.noo.ma for more information.