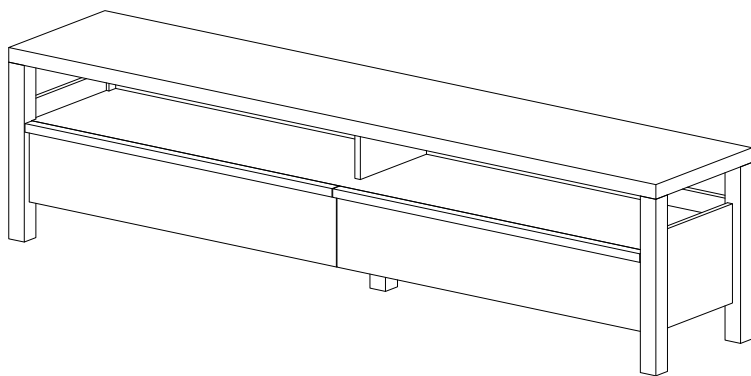
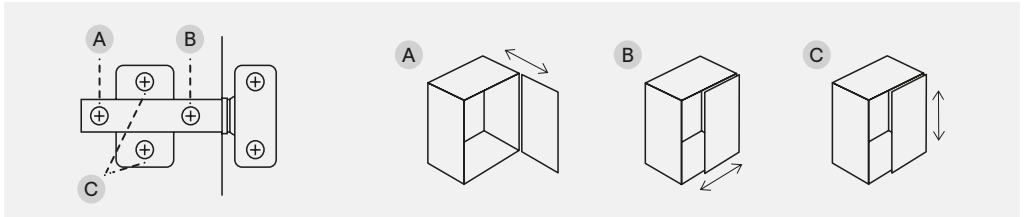
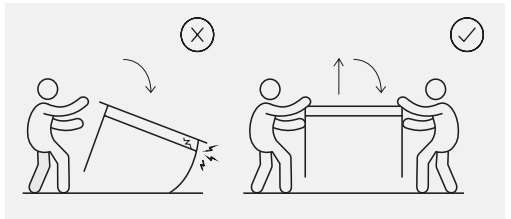
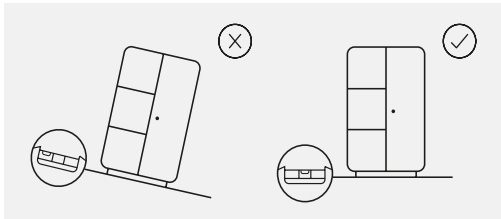
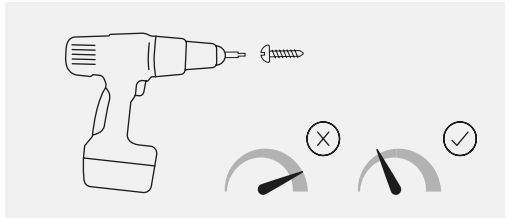
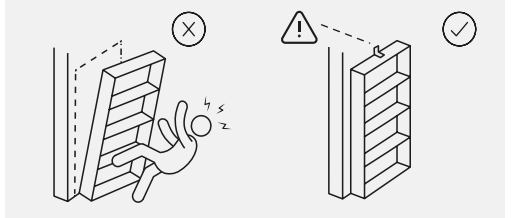
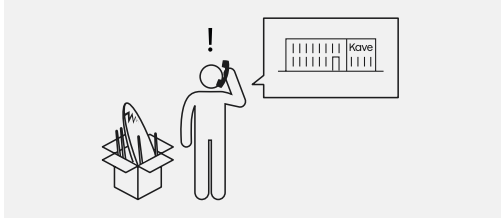
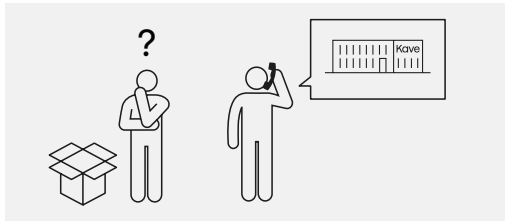
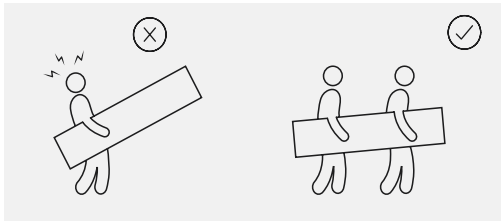


# Norani







30 min



x1



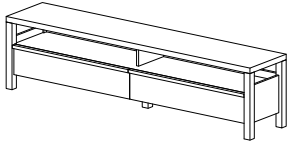
x2



x1



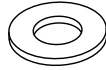
x1



**A** x1



**B** x2  
ø6x16mm



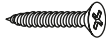
**C** x2  
ø8x16mm



**D** x1  
4mm



**E** x2

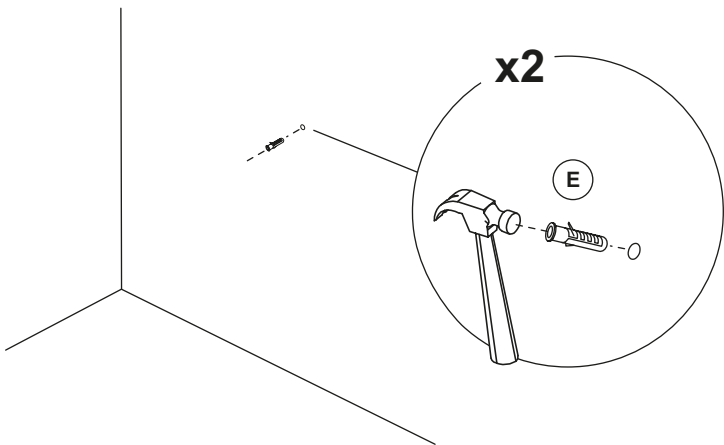
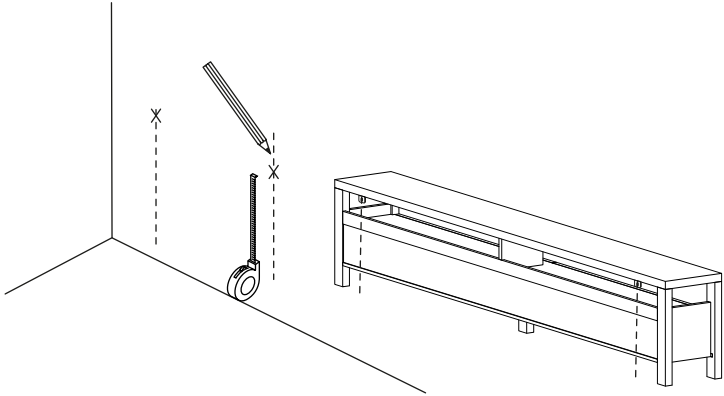


**F** x2  
ø4x45mm

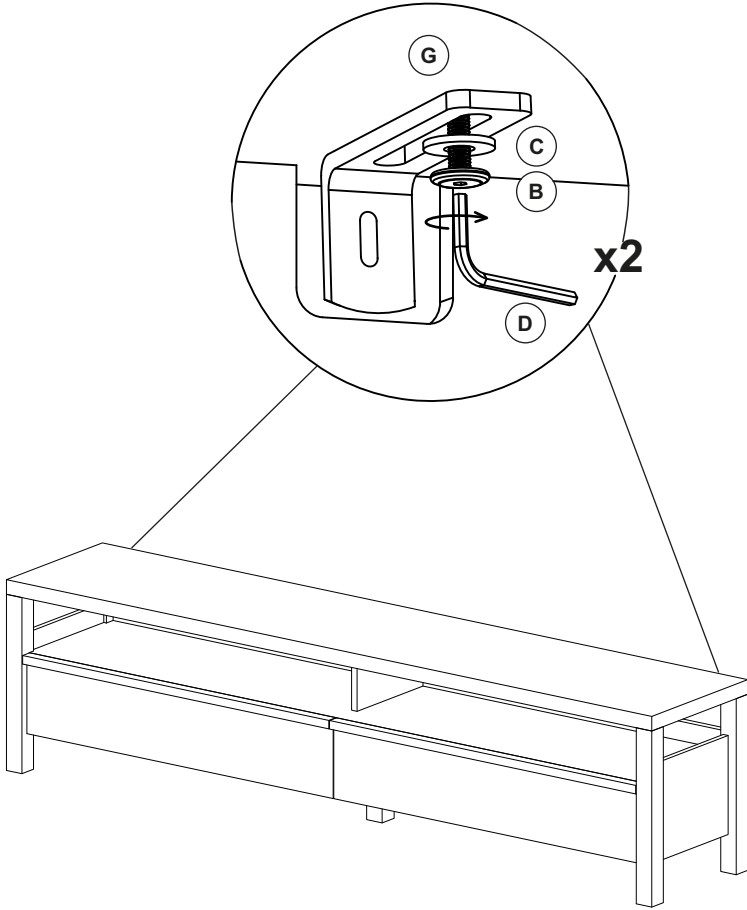


**G** x2  
100x25mm

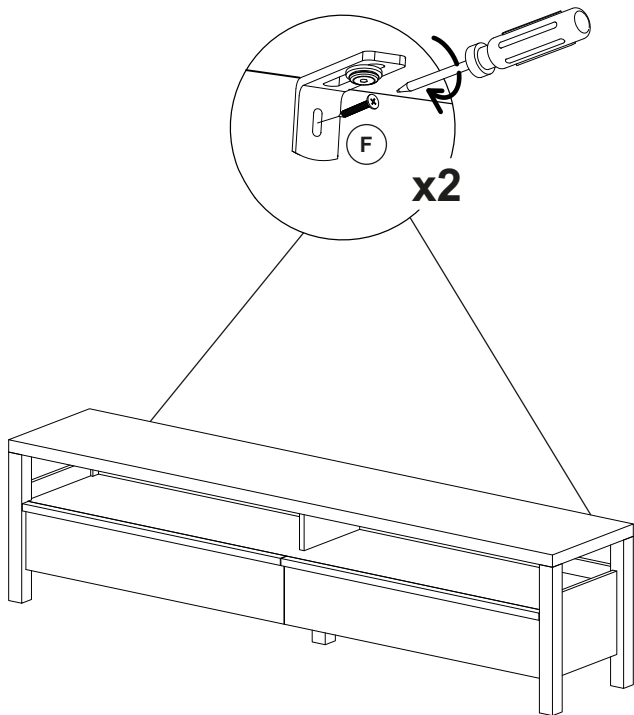
1

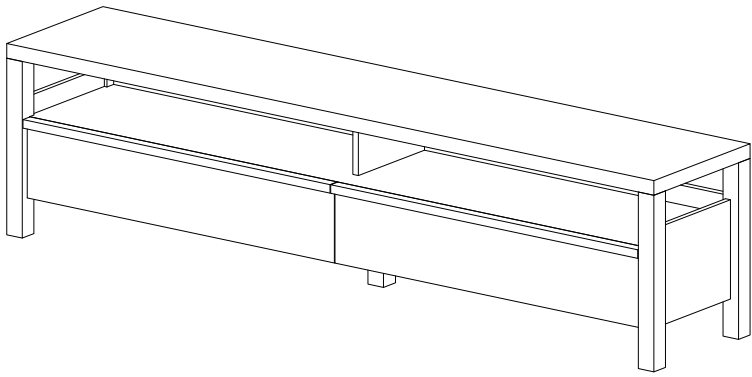


2



3





# Kave

**Julià Grup Furniture Solutions S.L.**

B-17616277

Pol. Ind. Bosc d'en Cuca

C/ Tallers, 14. 17410 Sils, Spain

[contact@kavehome.com](mailto:contact@kavehome.com)



IT: PAP 22, Carta.

Verifica le disposizioni del tuo comune.