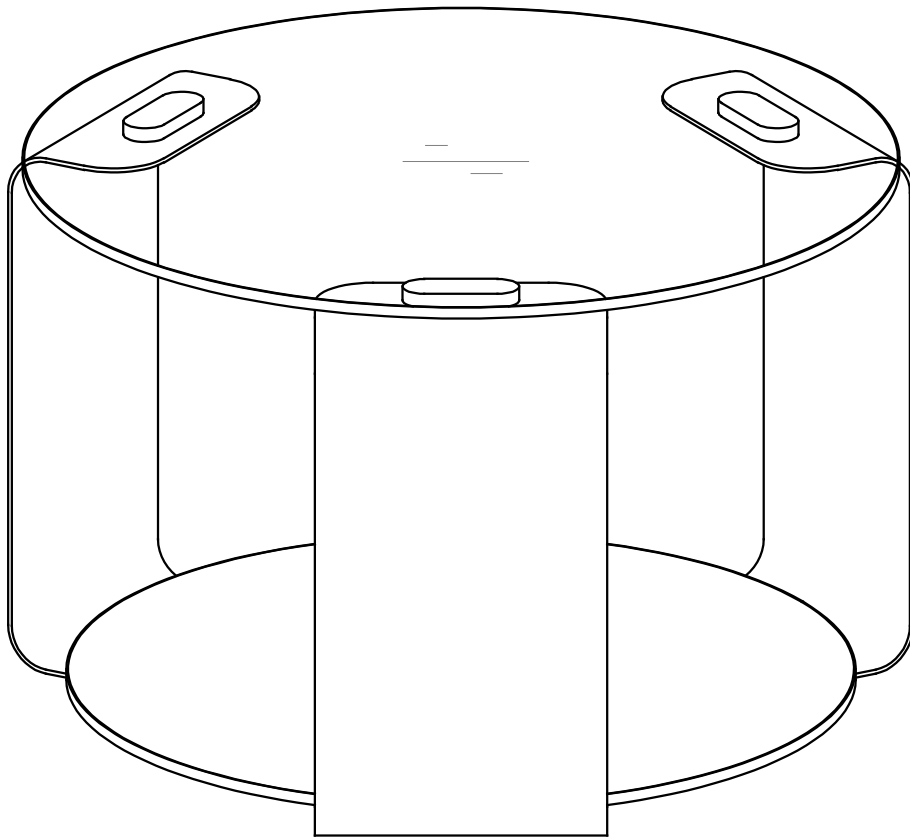
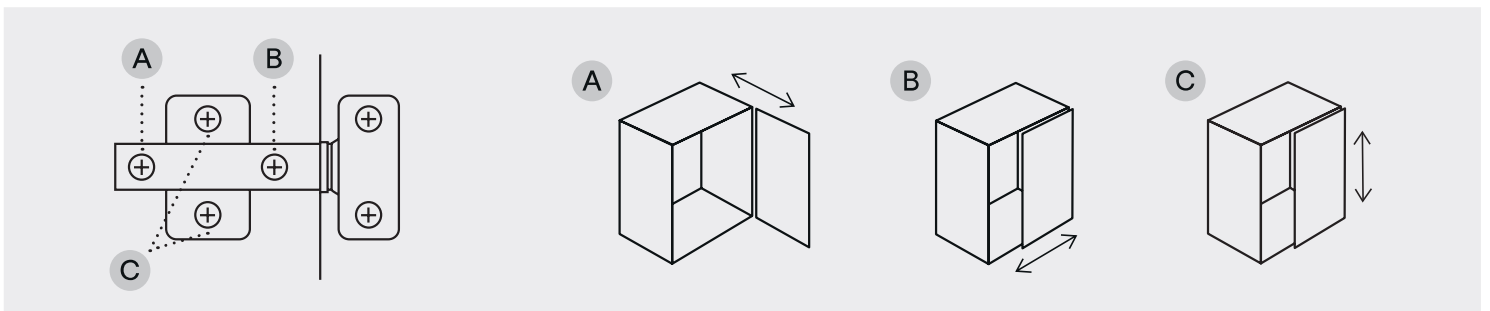
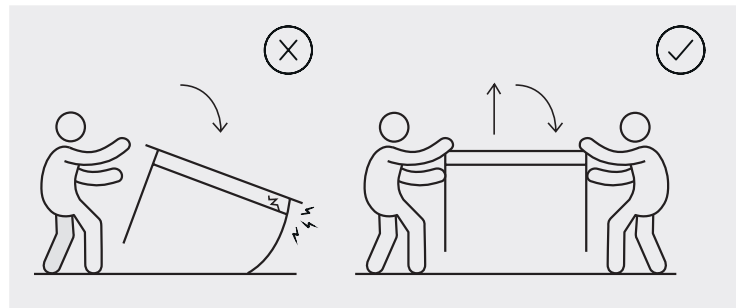
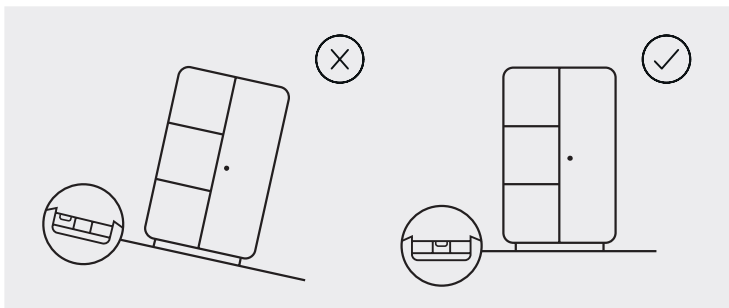
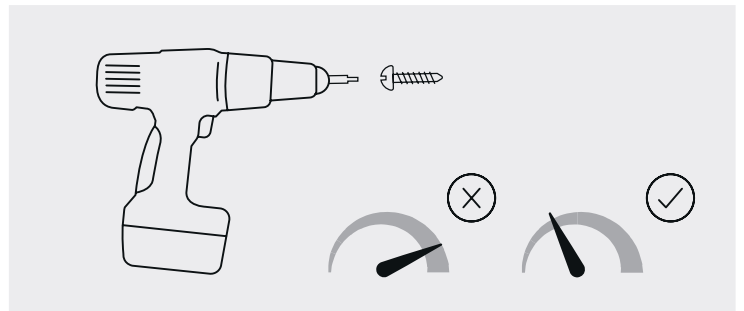
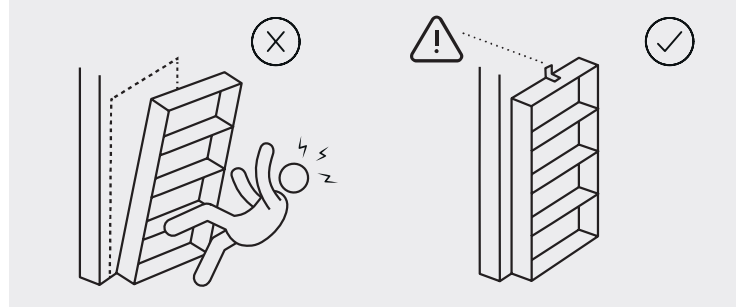
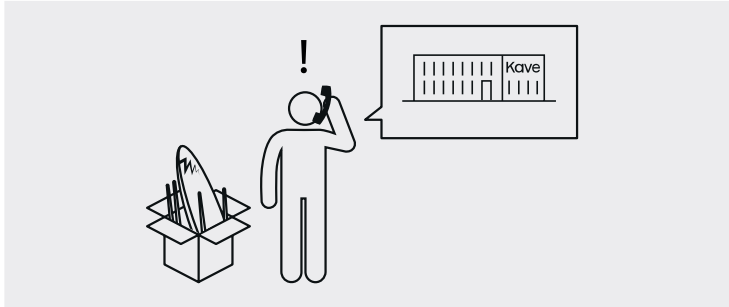
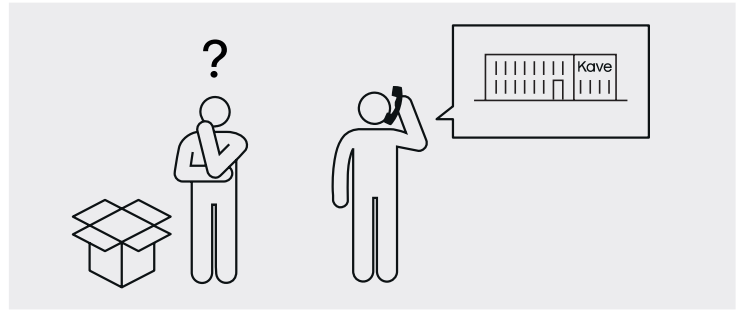
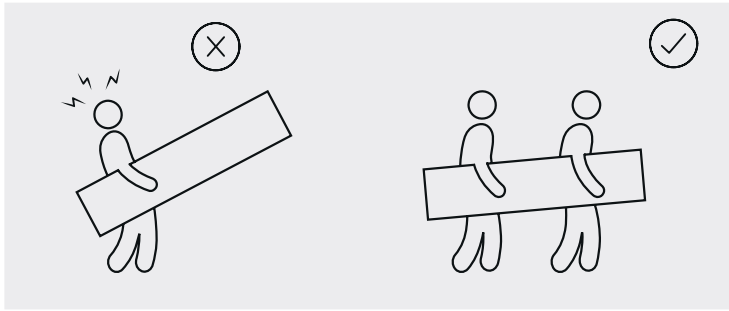


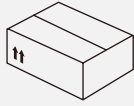
Dolven







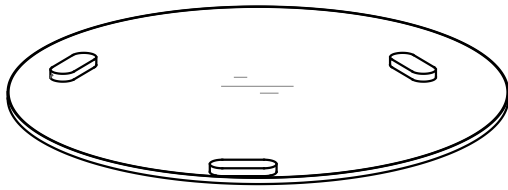
15 min



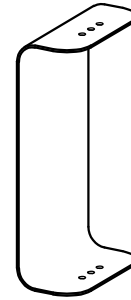
x2



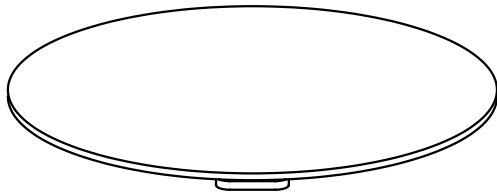
x2



A x1



B x3



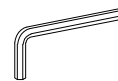
C x1



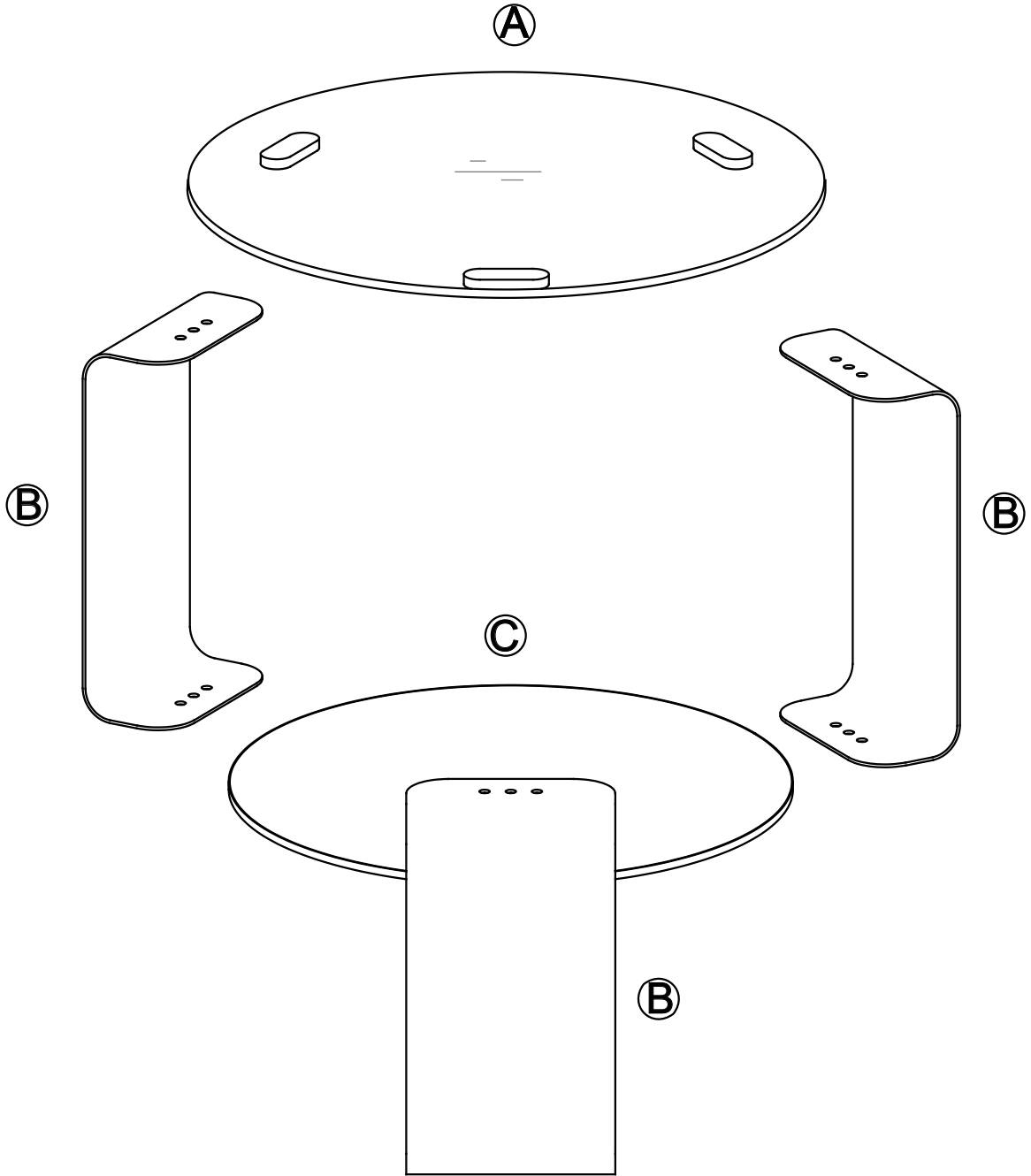
D x12
M8x8mm




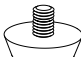
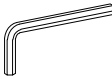
E x3
ø30

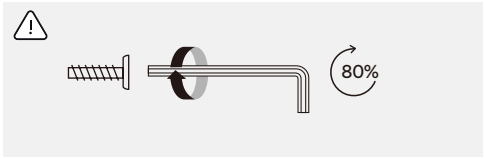
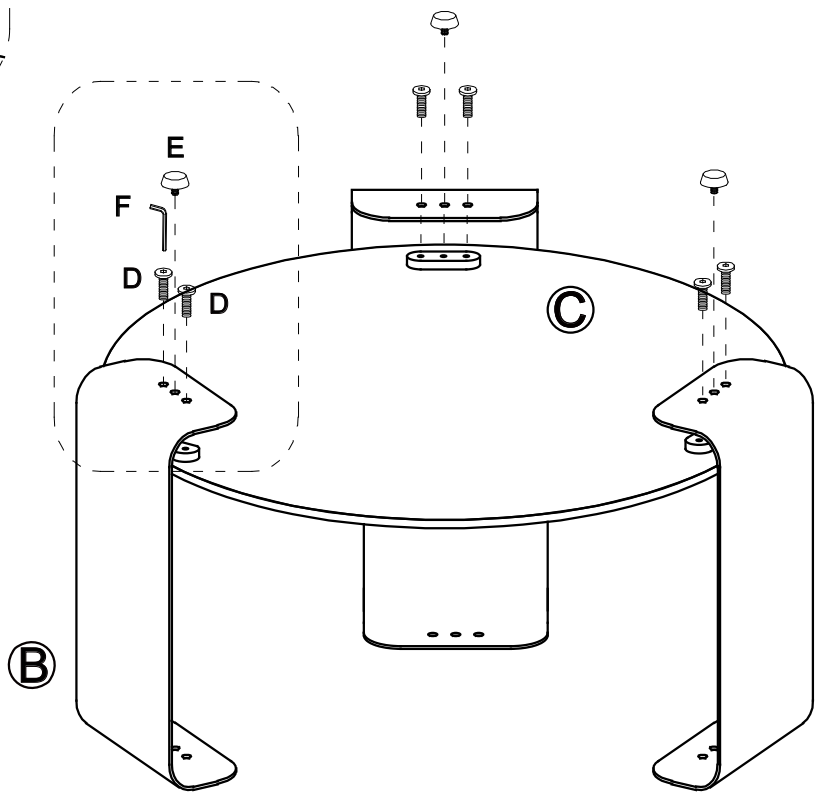
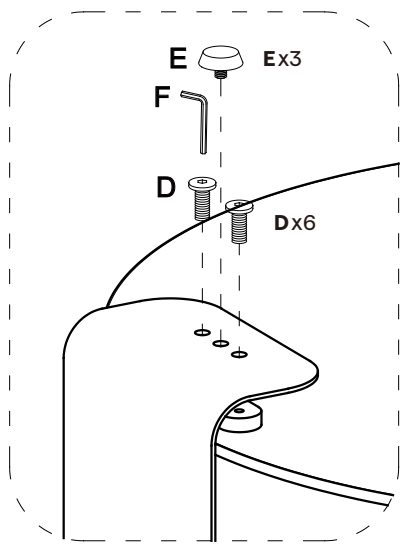


F x1
4mm

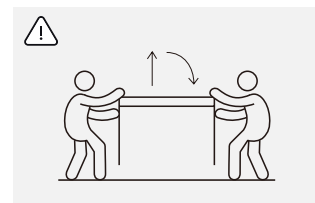
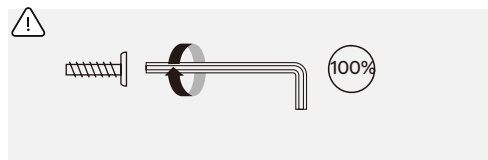
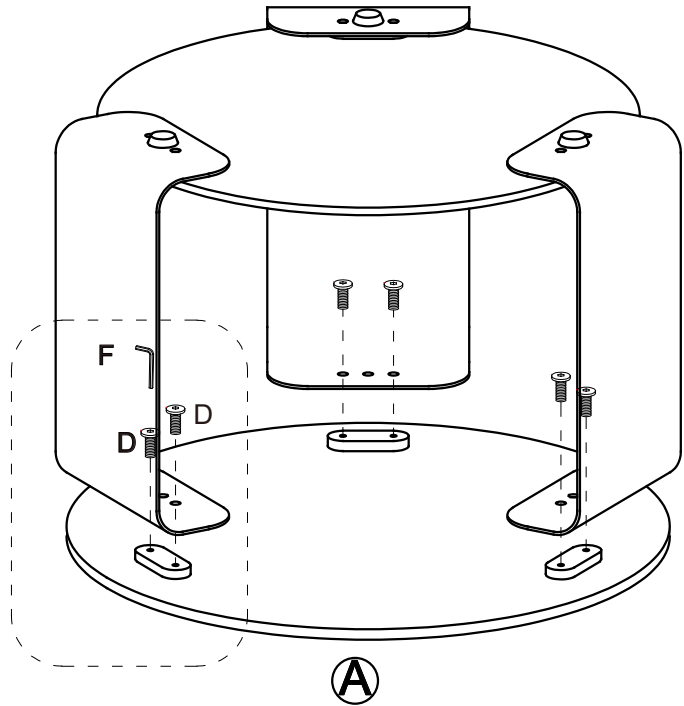
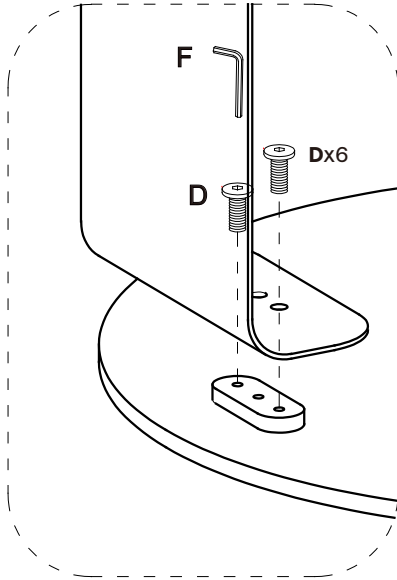
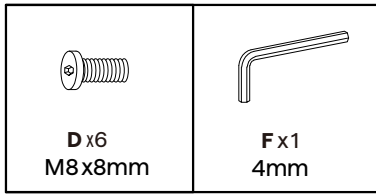


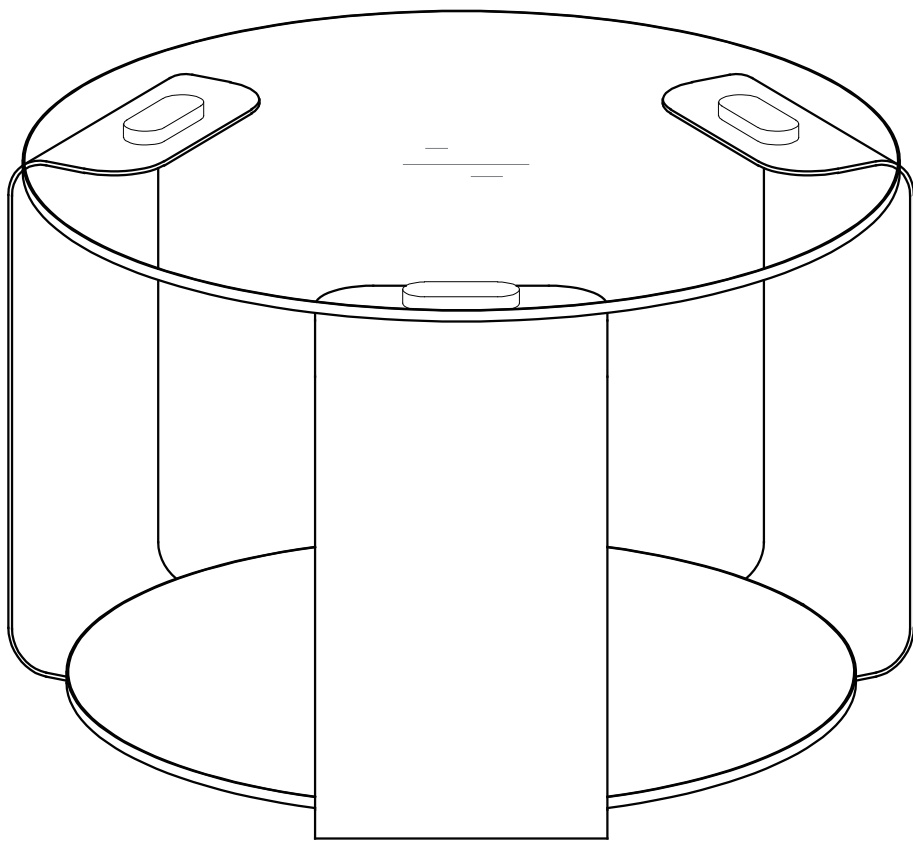
1

 Dx6 M8x8mm	 Ex3 ø30	 Fx1 4mm
--	---	---



2





Kave

Julià Grup Furniture Solutions S.L.

B-17616277

Pol. Ind. Bosc d'en Cuca
C/ Tallers, 14. 17410 Sils, Spain
contact@kavehome.com



IT: PAP 22, Carta.
Verifica le disposizioni del tuo comune.