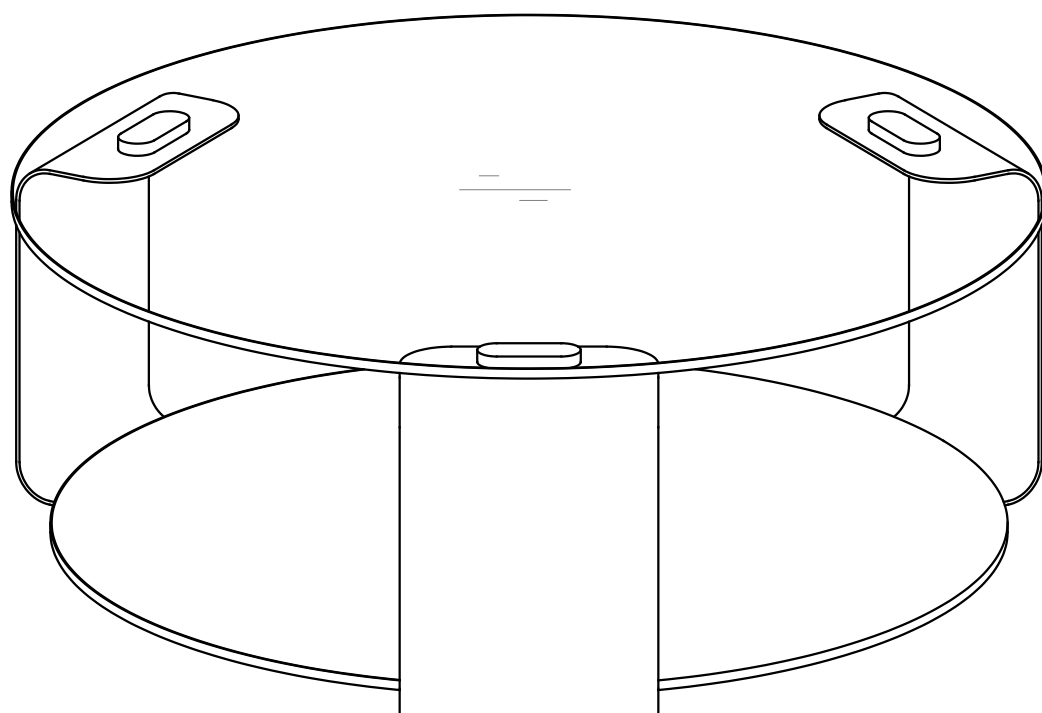
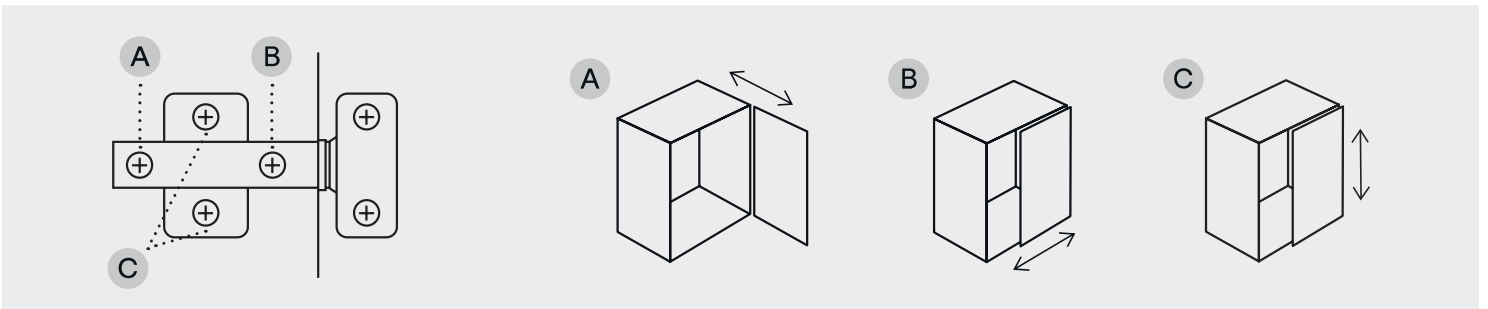
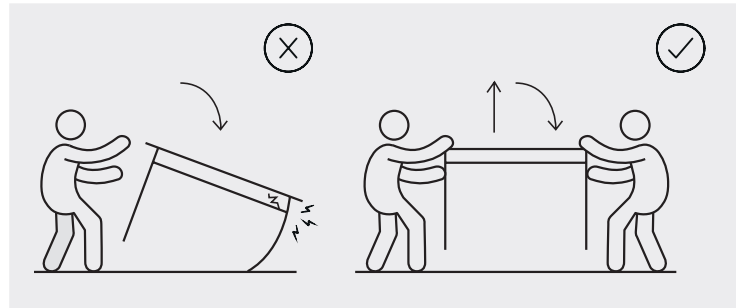
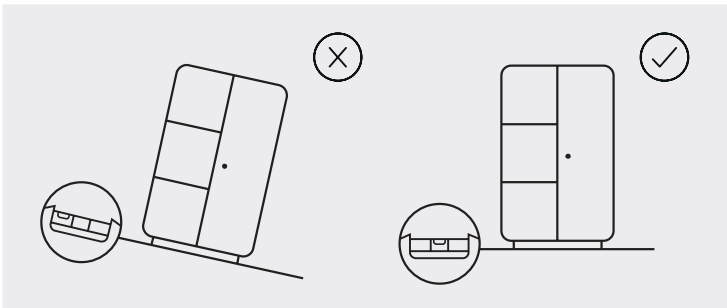
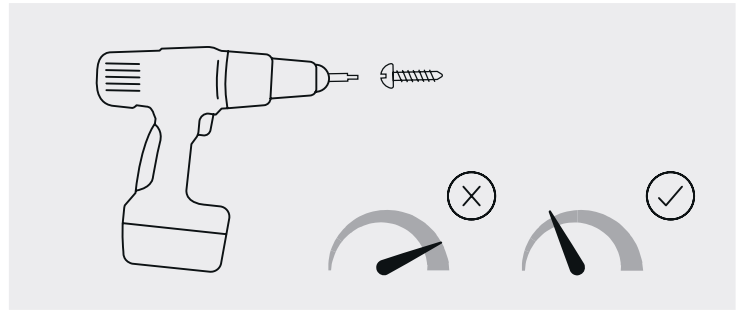
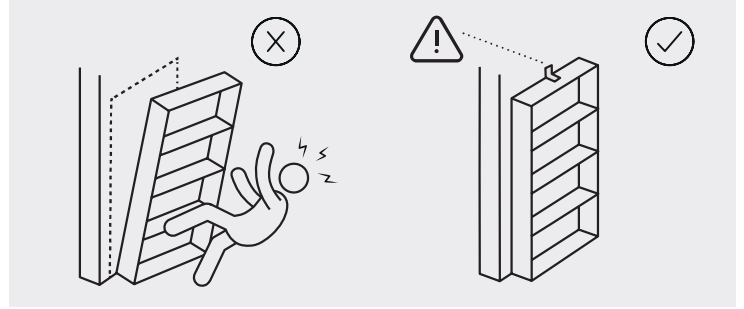
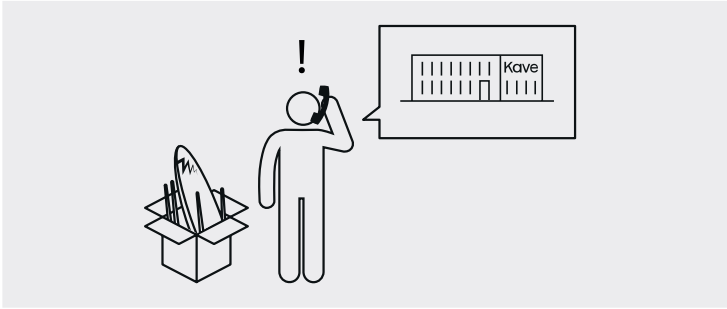
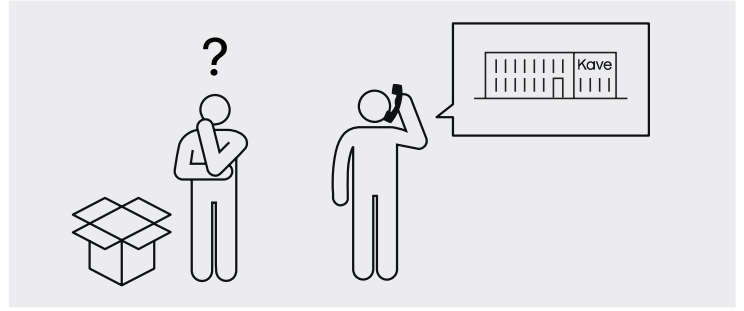
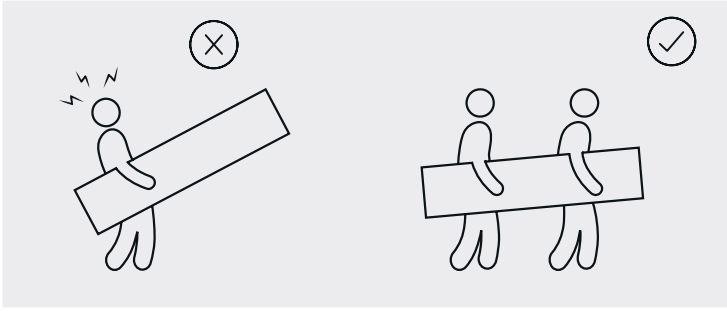


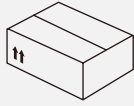
Dolven







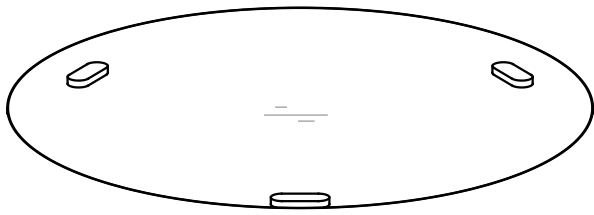
15 min



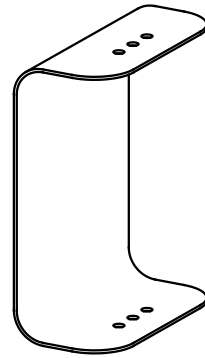
x2



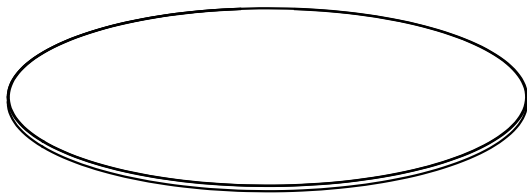
x2



A x1



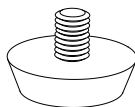
B x3



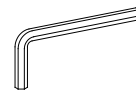
C x1



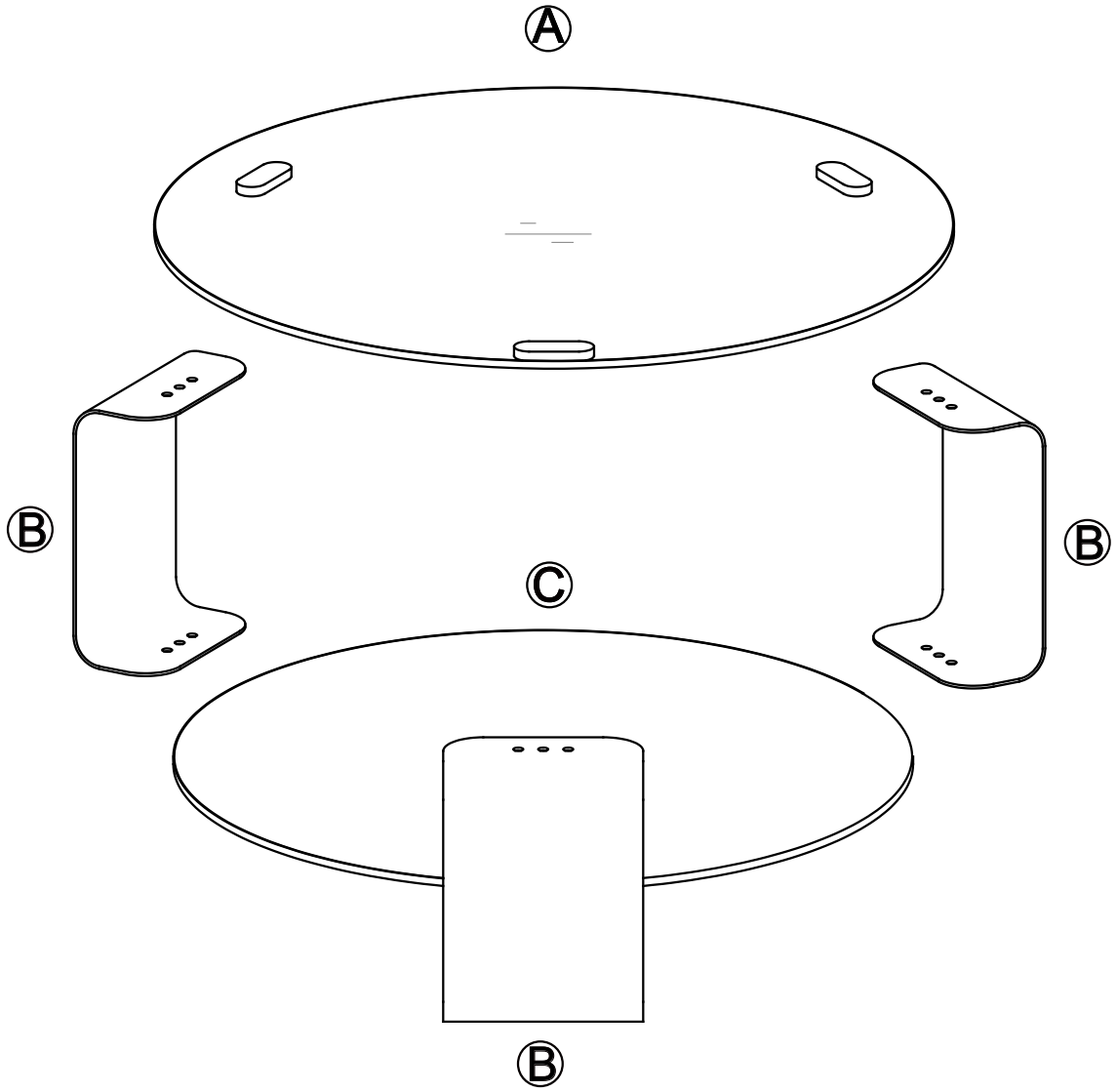
D x12
M8x8mm



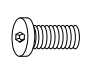
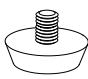
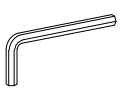
E x3
ø30

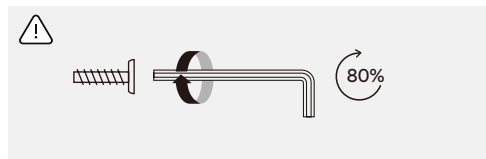
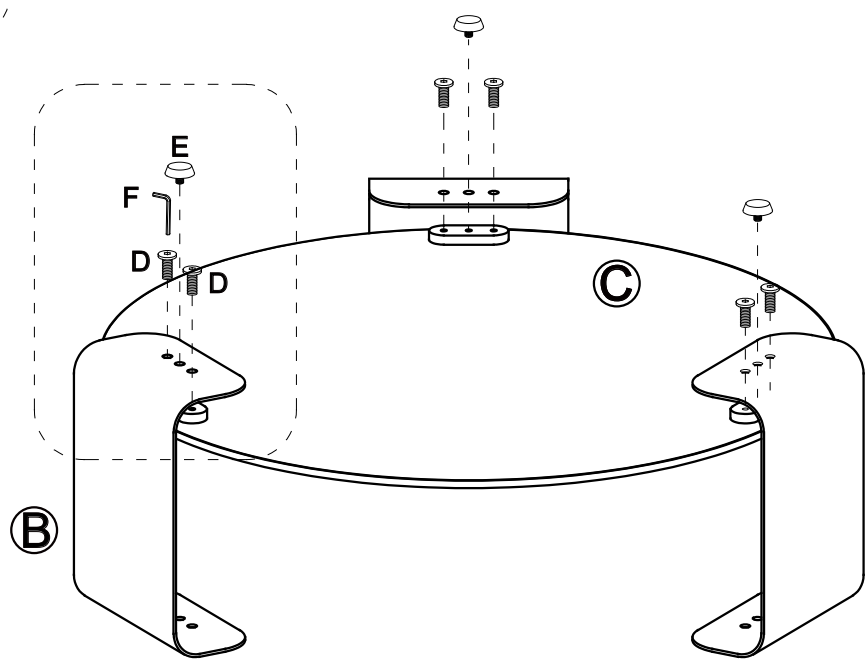
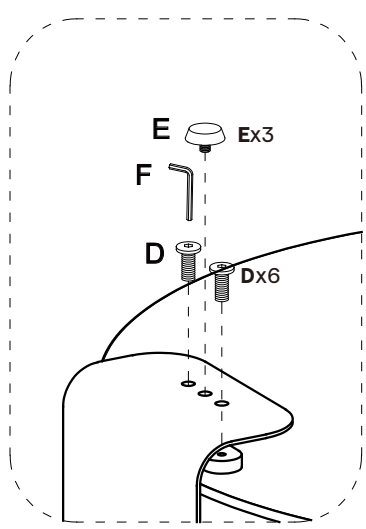


F x1
4mm

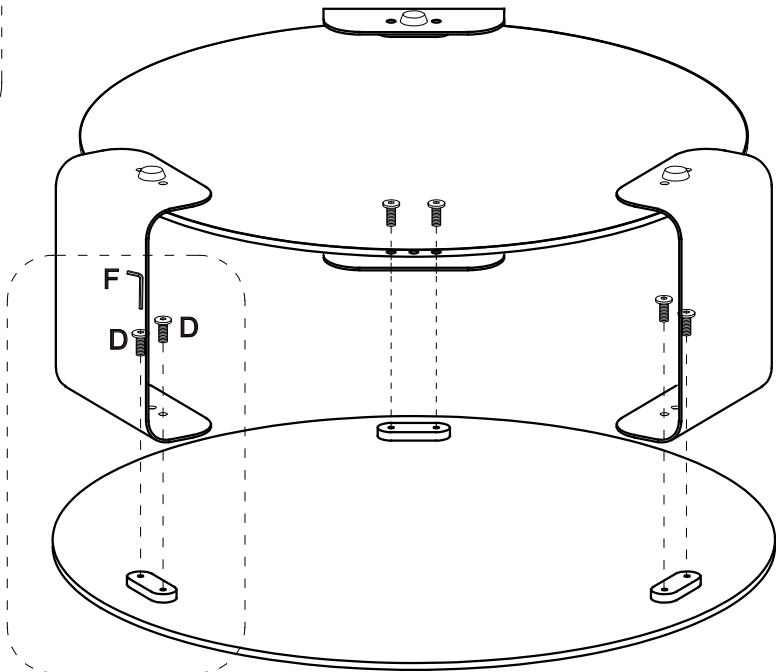
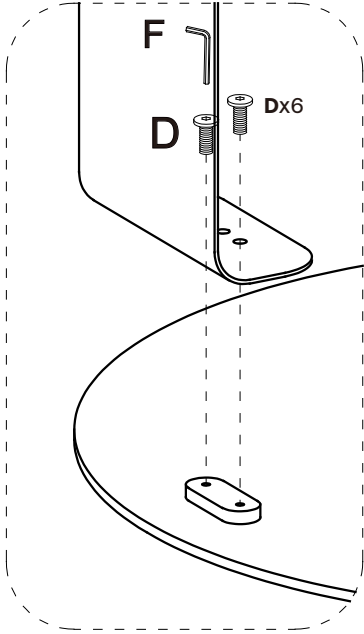
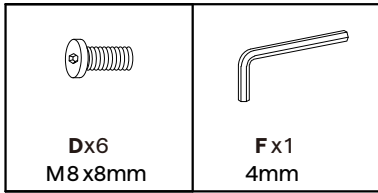


1

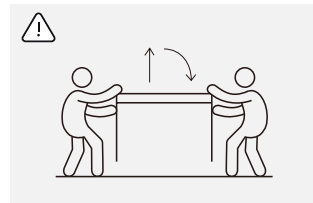
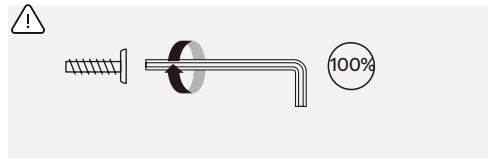
 Dx6 M8 x 8mm	 Ex3 ø30	 F x1 4mm
---	--	---

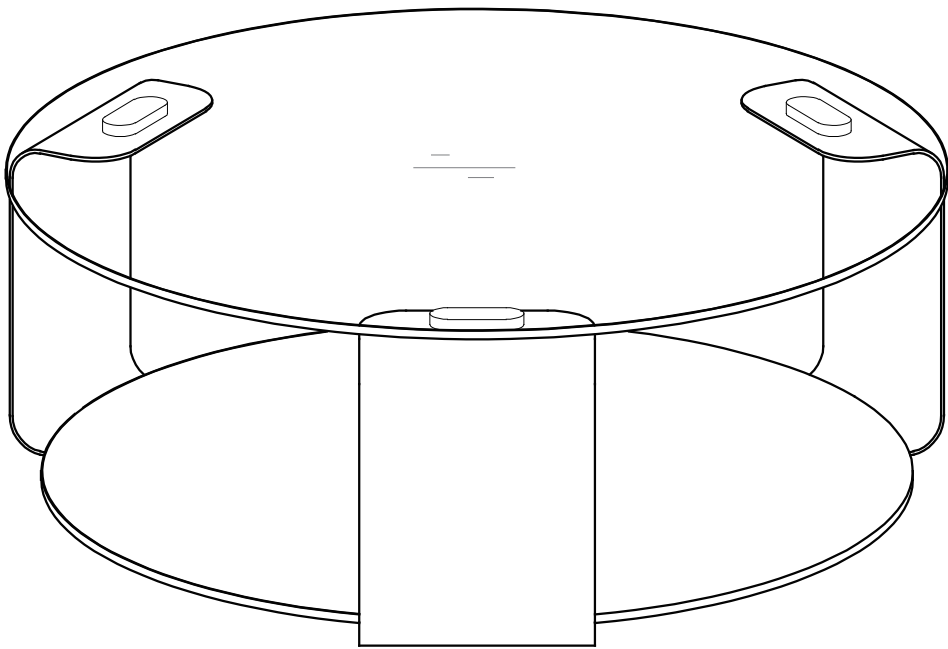


2



A





Kave

Julià Grup Furniture Solutions S.L.

B-17616277

Pol. Ind. Bosc d'en Cuca

C/ Tallers, 14. 17410 Sils, Spain

contact@kavehome.com



IT: PAP 22, Carta.
Verifica le disposizioni del tuo comune.