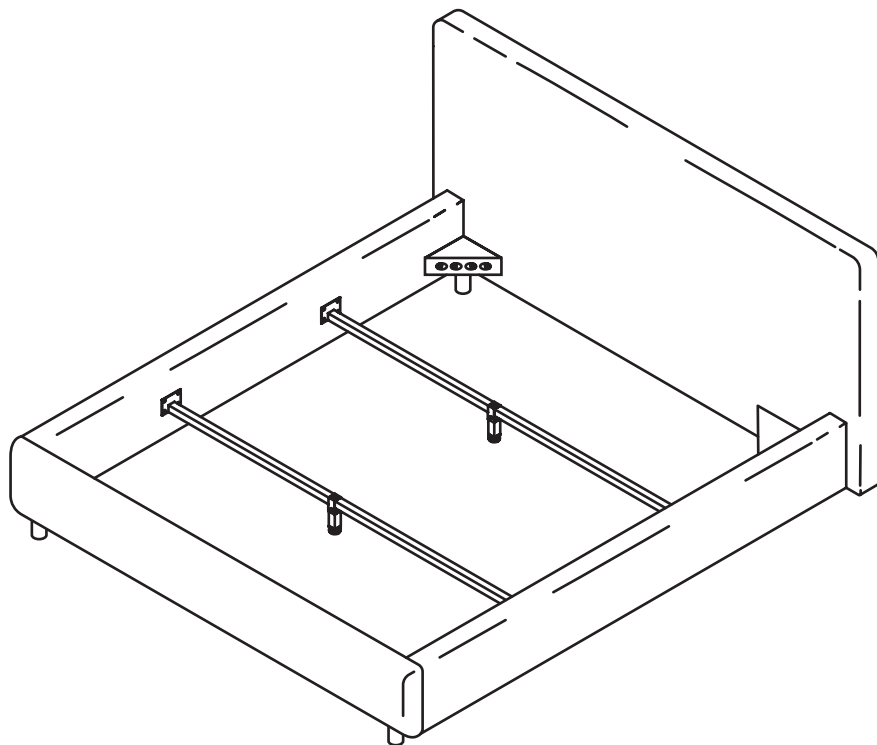
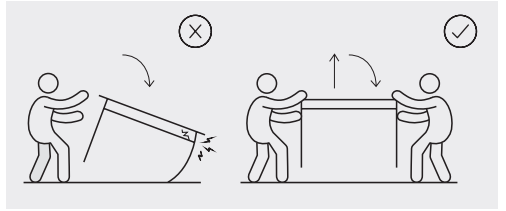
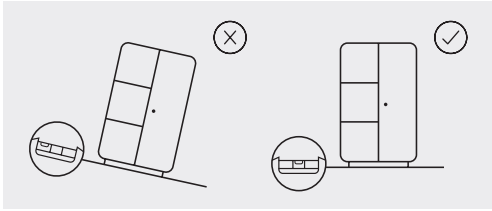
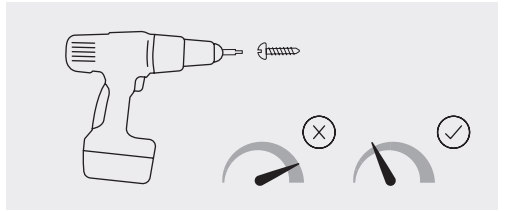
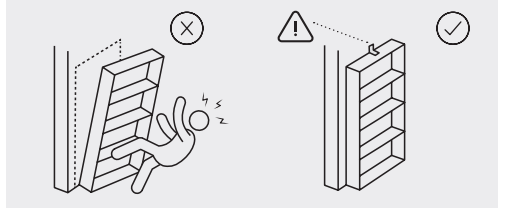
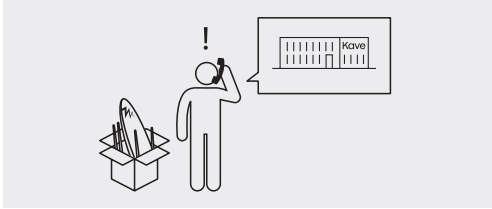
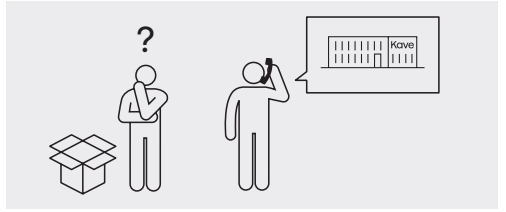
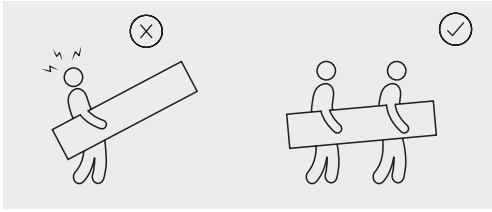


Valma



Kave

ED01





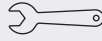
45 min



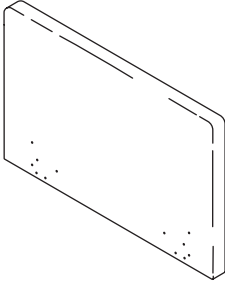
x1



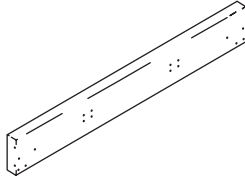
x2



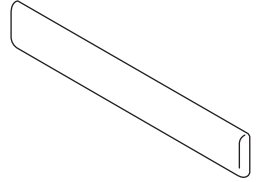
x1



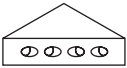
A x1



B x1



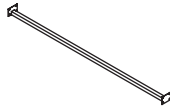
C x1



D x4



E x4



F x2



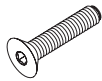
G x2



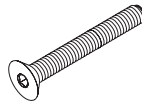
H x1



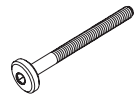
I x1



J x24
M6×40mm



K x8
M6×70mm



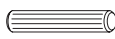
L x4
M8×60mm



M x4
M8×15mm



N x16
M6×12mm



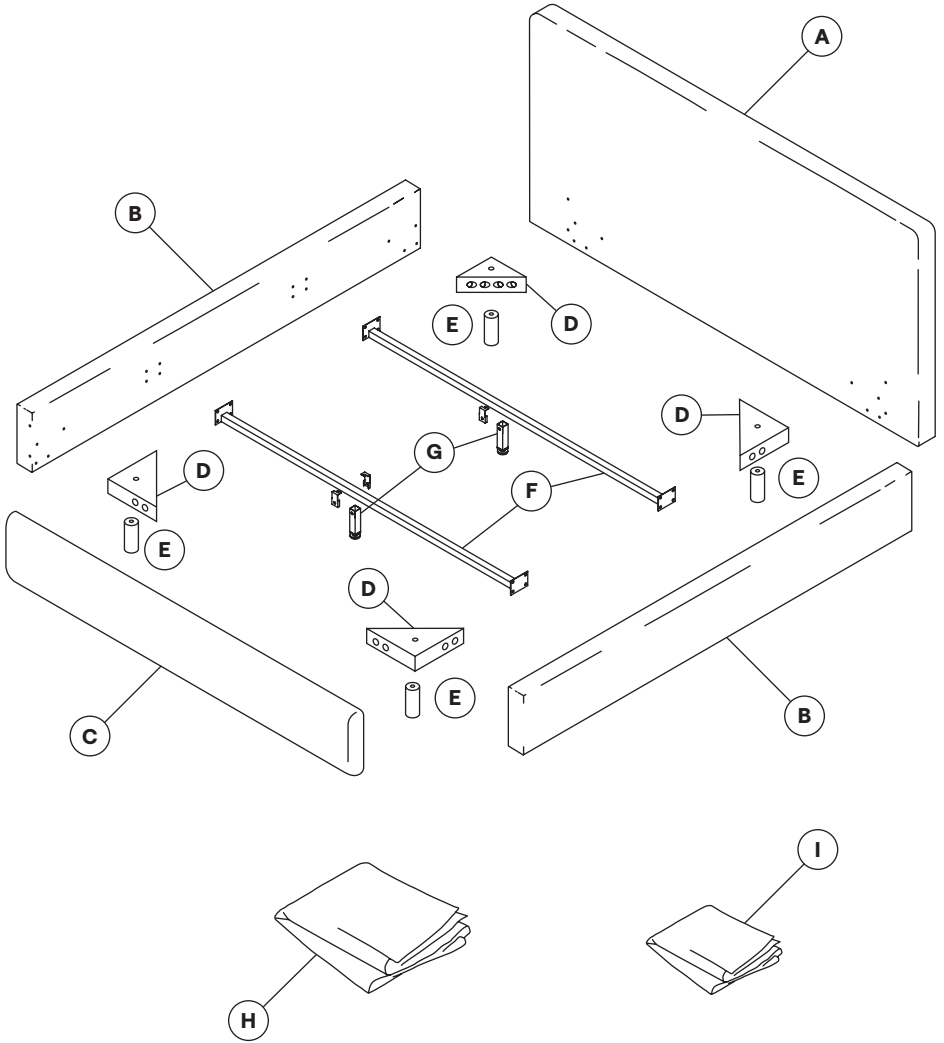
O x8

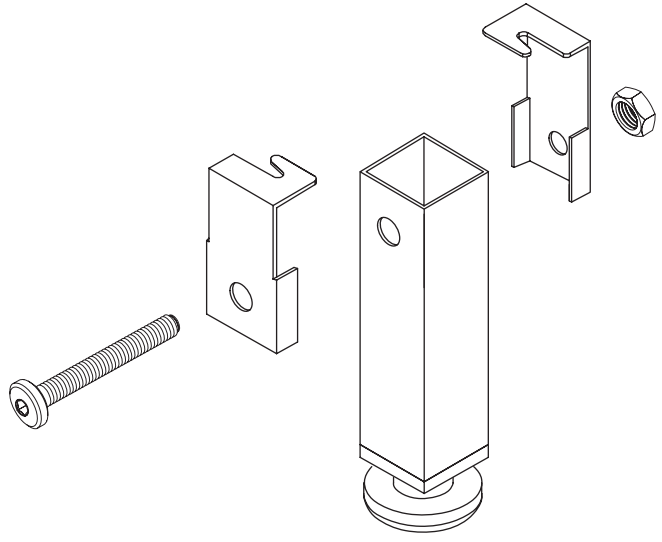
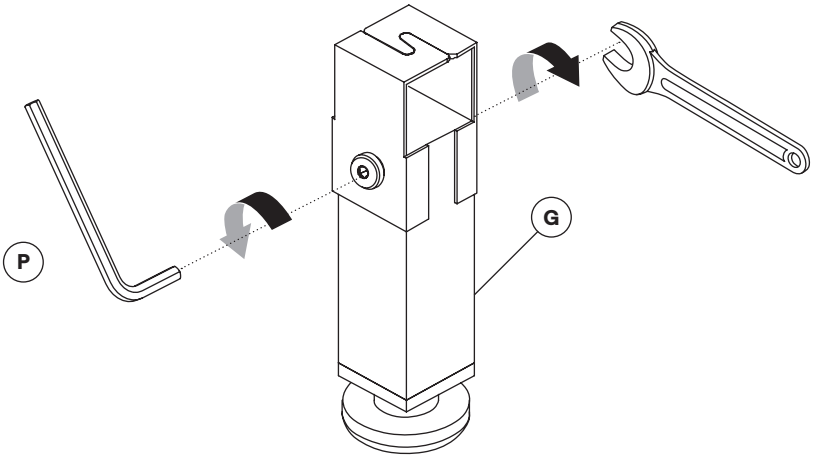


P x1



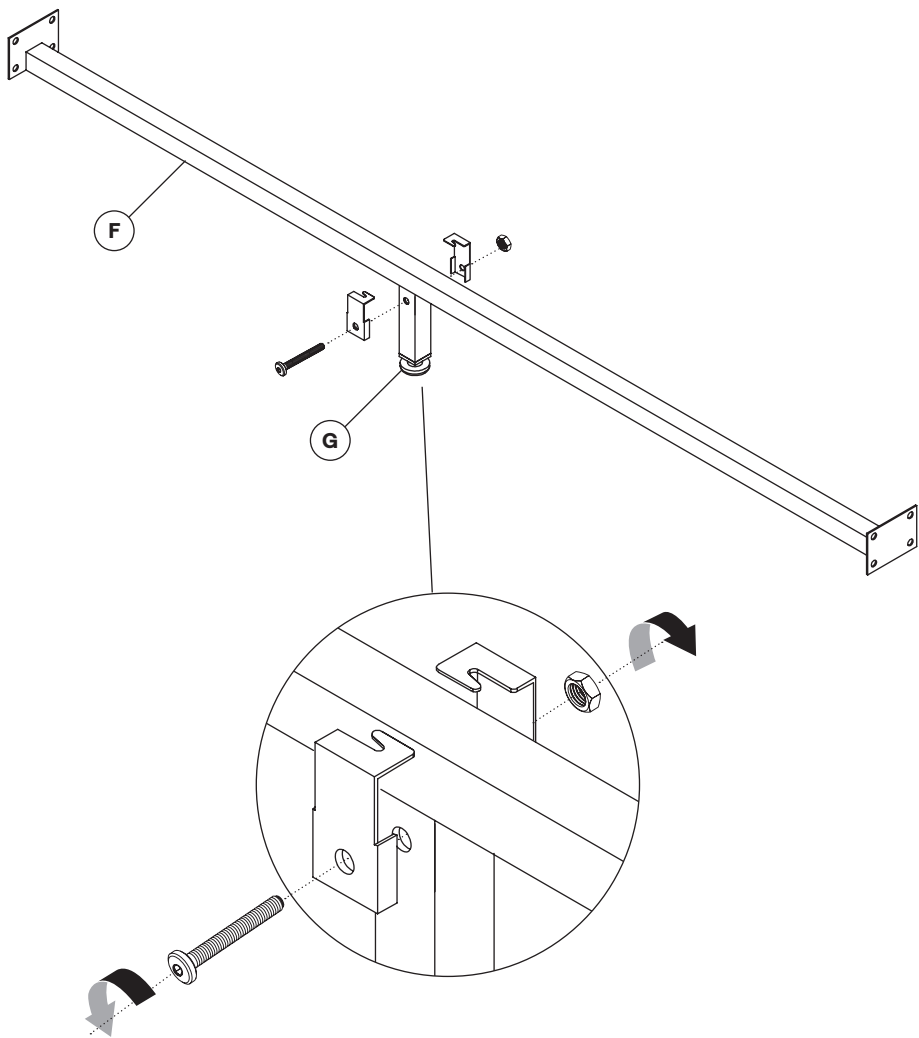
Q x4



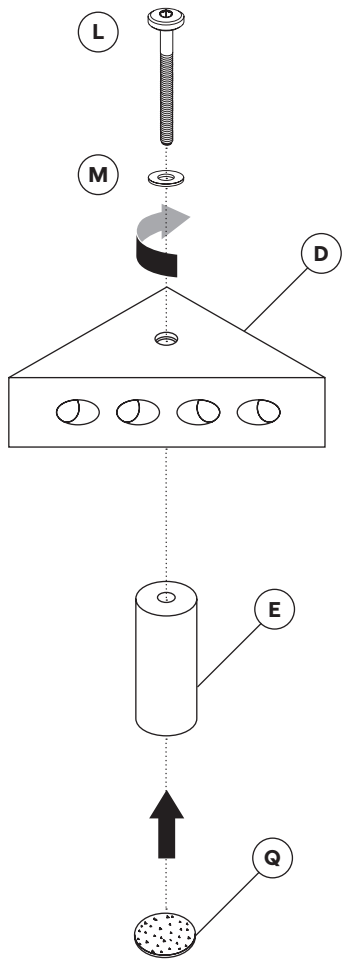


⚠
x2

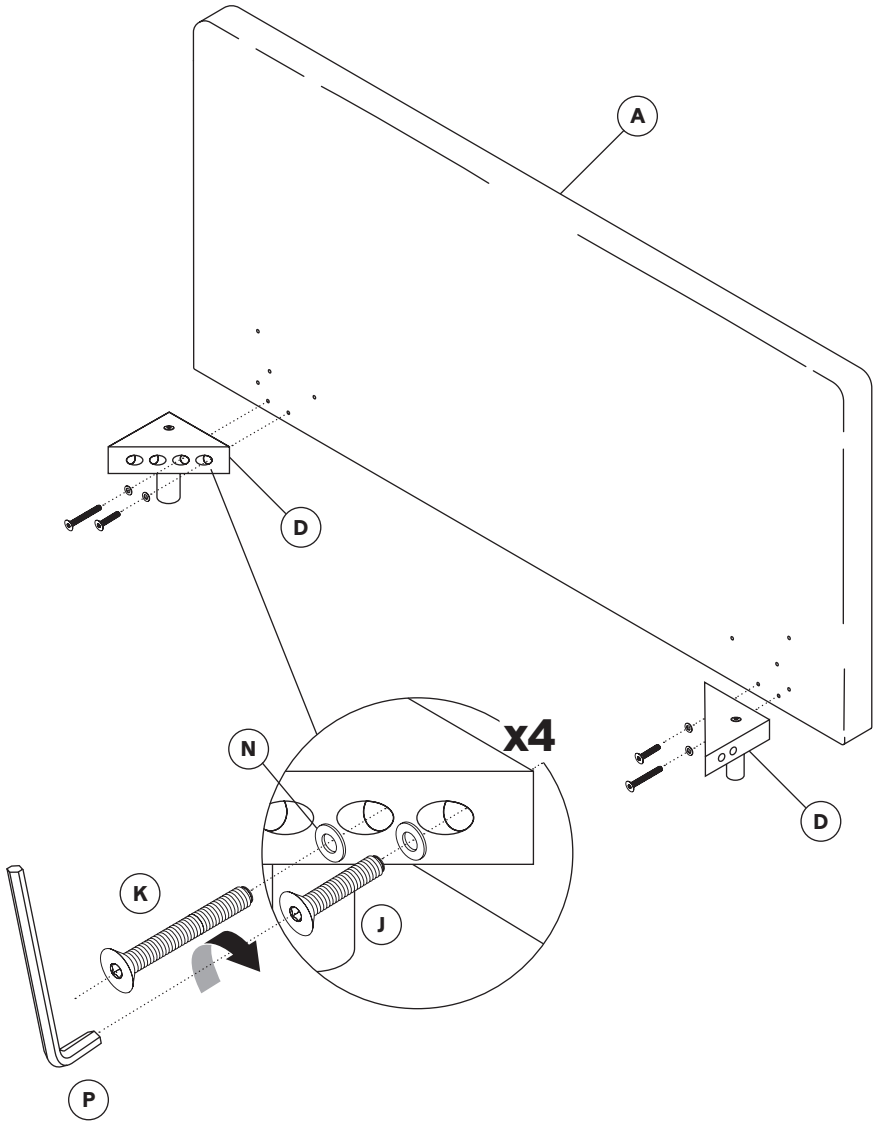
2

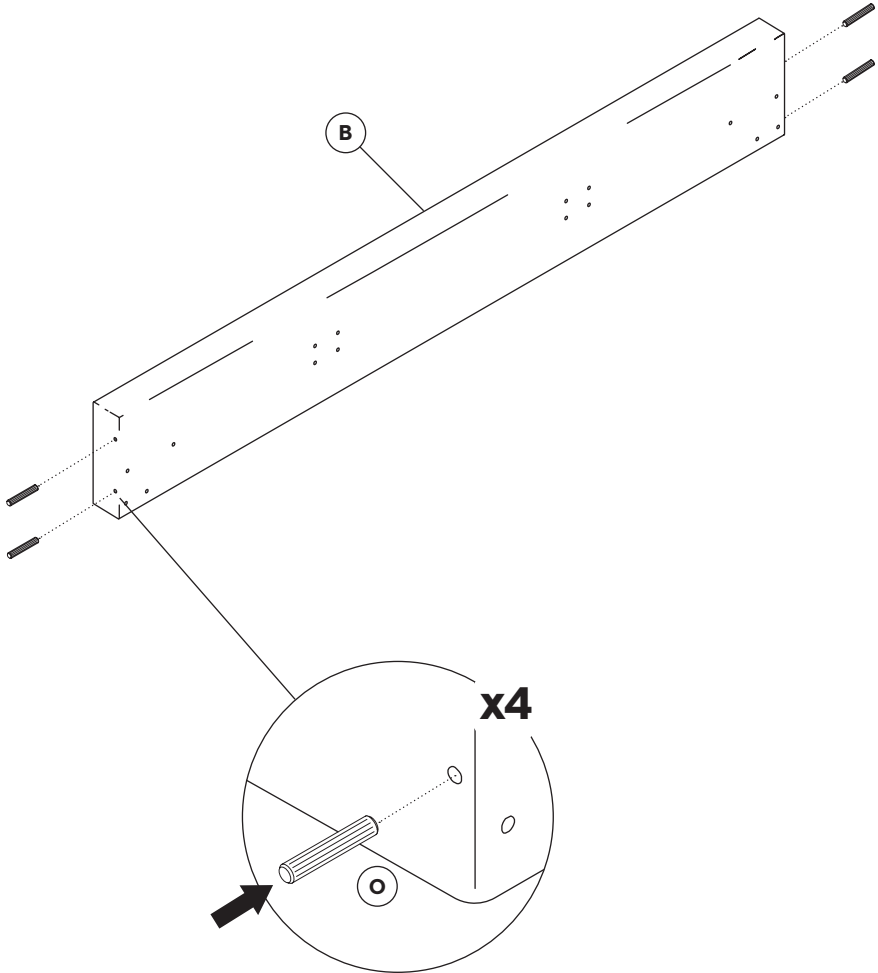


⚠
x2



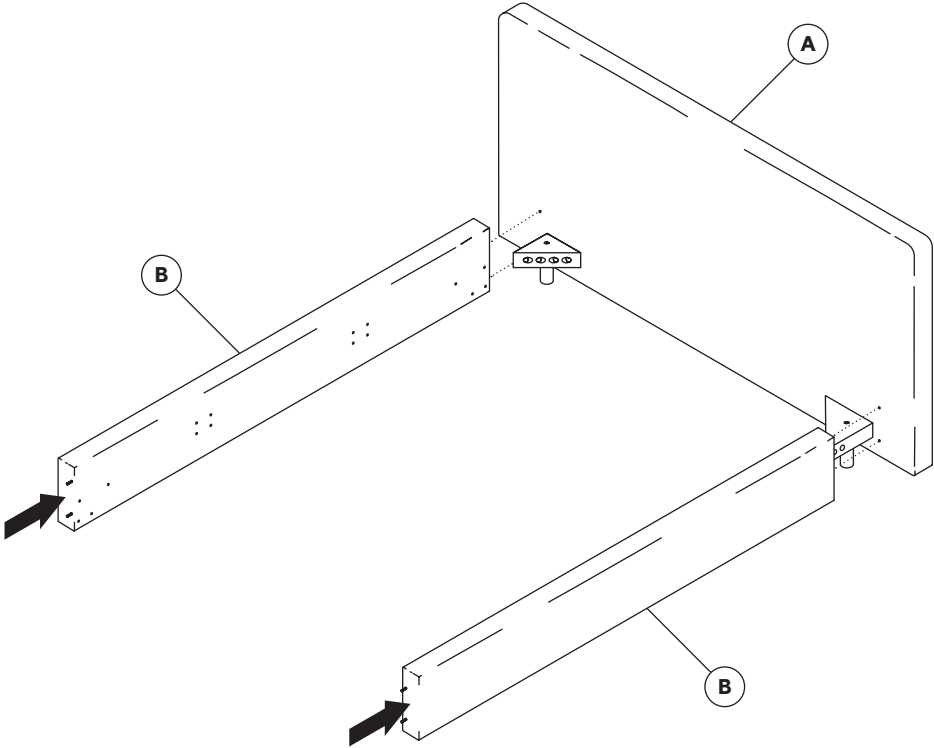
⚠
x4

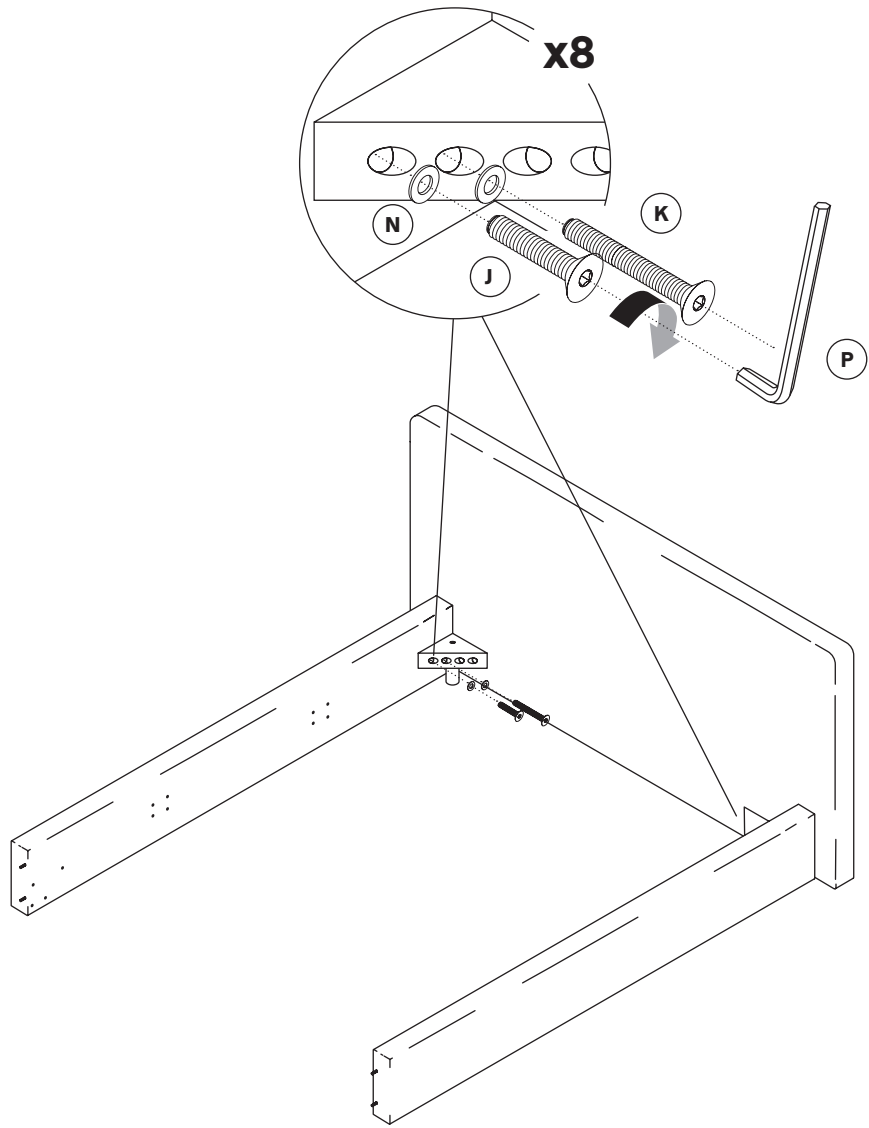






⚠
x2

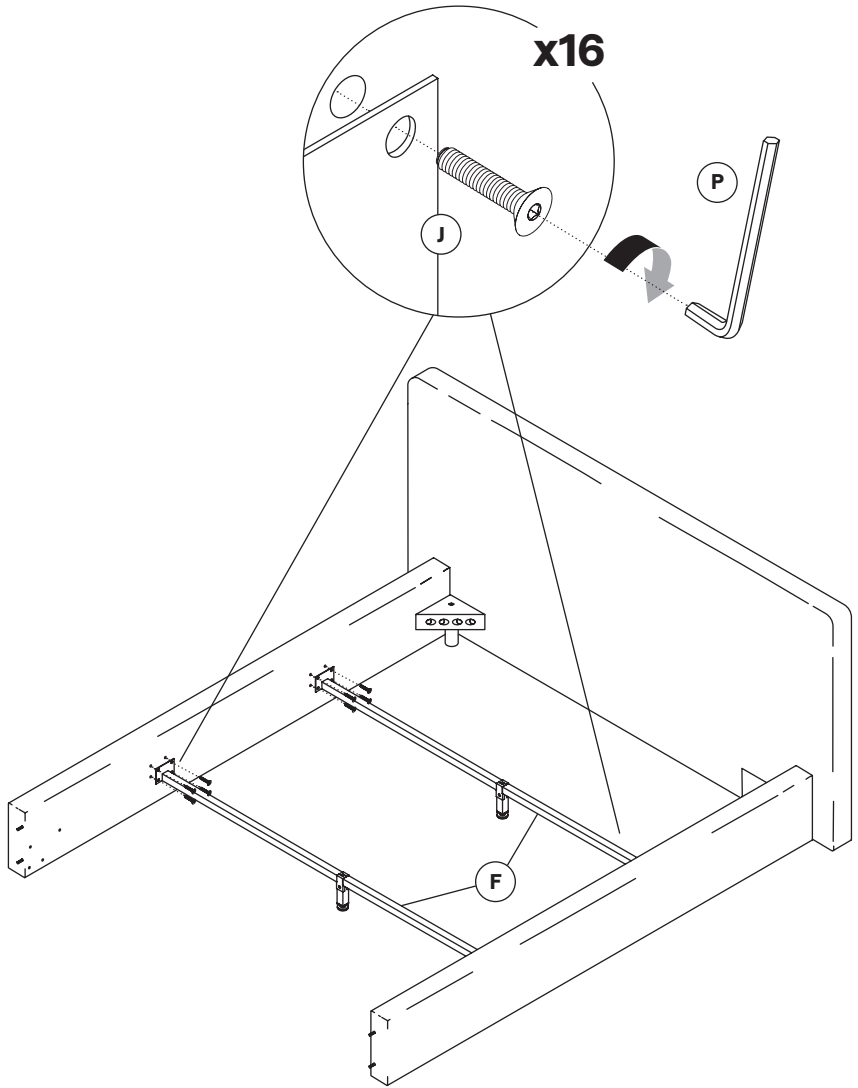
6




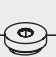


⚠

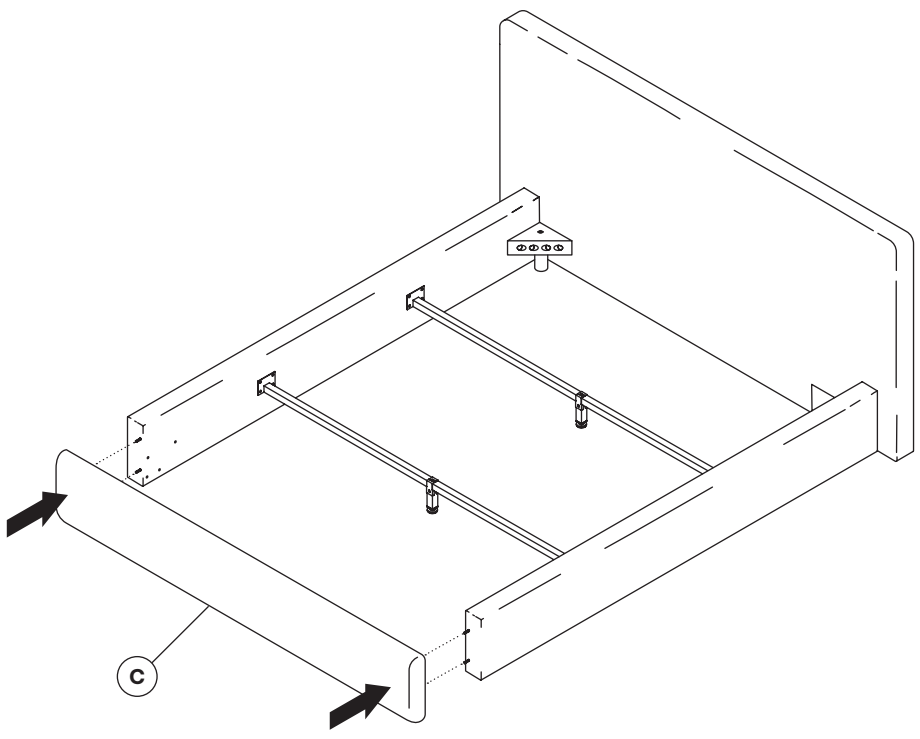
50%	100%
✓ 	✗ 

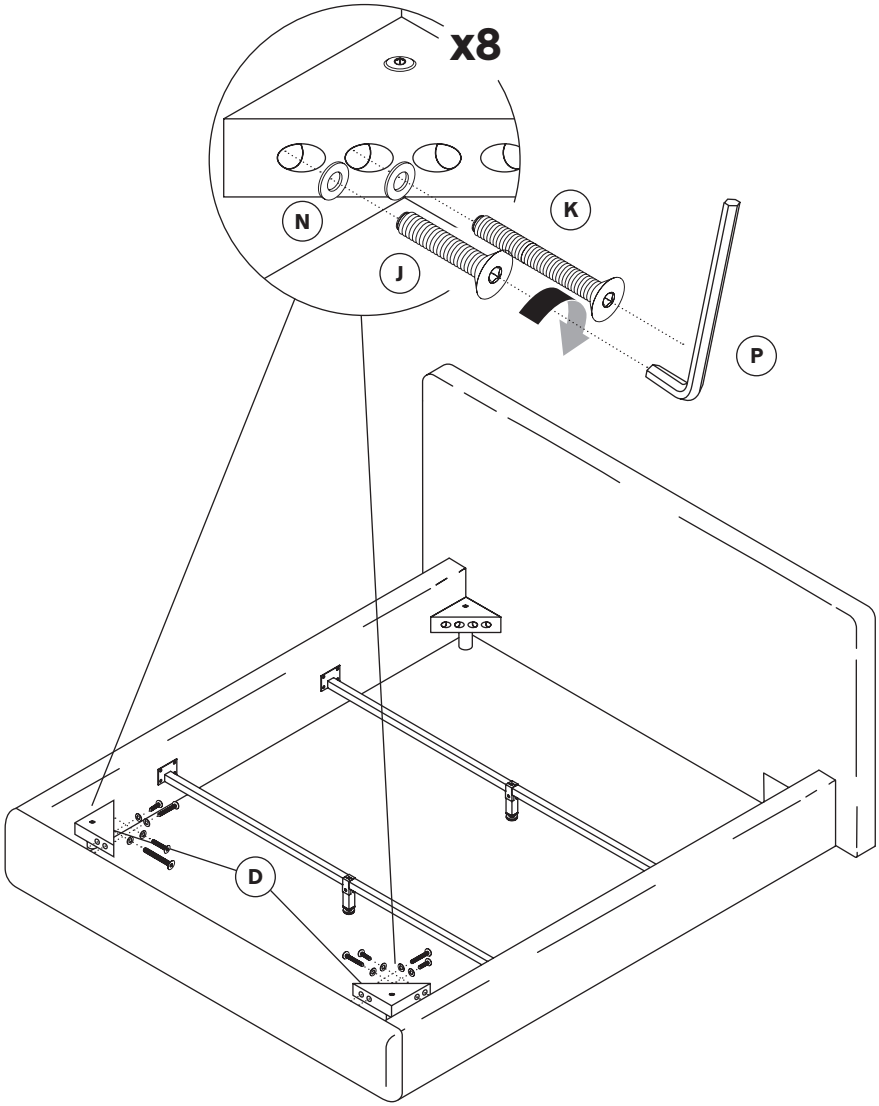


⚠



50%	100%
✓ 	✗ 

This section provides a warning and a comparison of correct and incorrect assembly methods. The warning icon (triangle with exclamation mark) is positioned above the comparison. The '50%' column shows a screw with a washer, marked with a checkmark (✓), indicating the correct method. The '100%' column shows a screw without a washer, marked with an 'X', indicating an incorrect method.

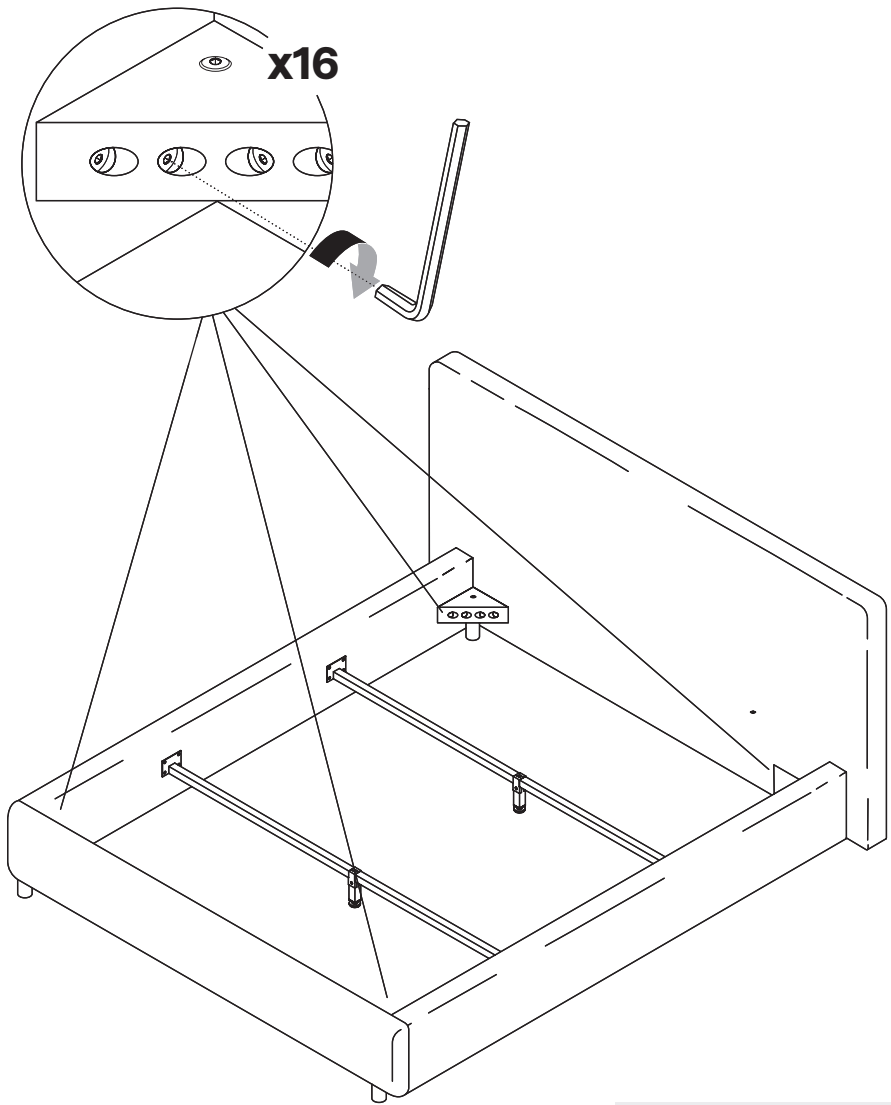




⚠ 50% 100%



✓  ✗ 

Detailed description: This block contains a warning icon (triangle with exclamation mark) and two percentage labels: '50%' and '100%'. Below these are two screw illustrations. The first is a screw with a washer, accompanied by a checkmark (✓). The second is a screw without a washer, accompanied by an 'X' mark (✗).

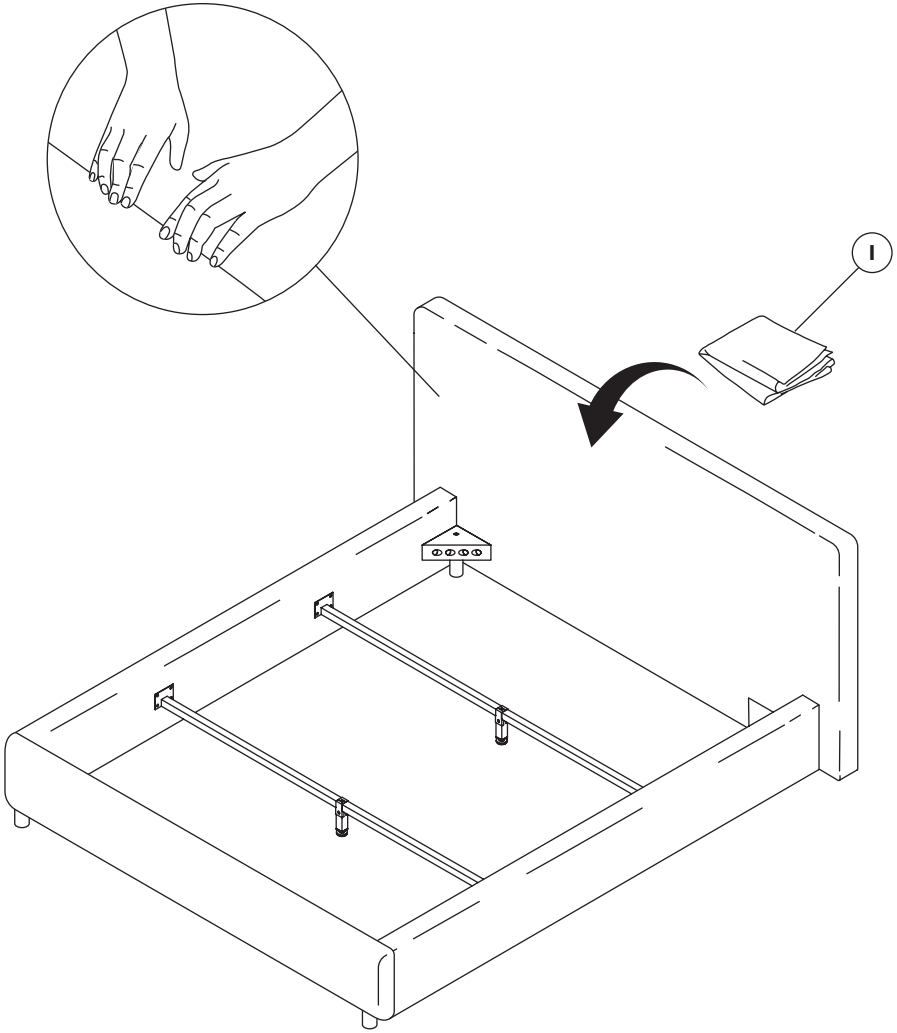


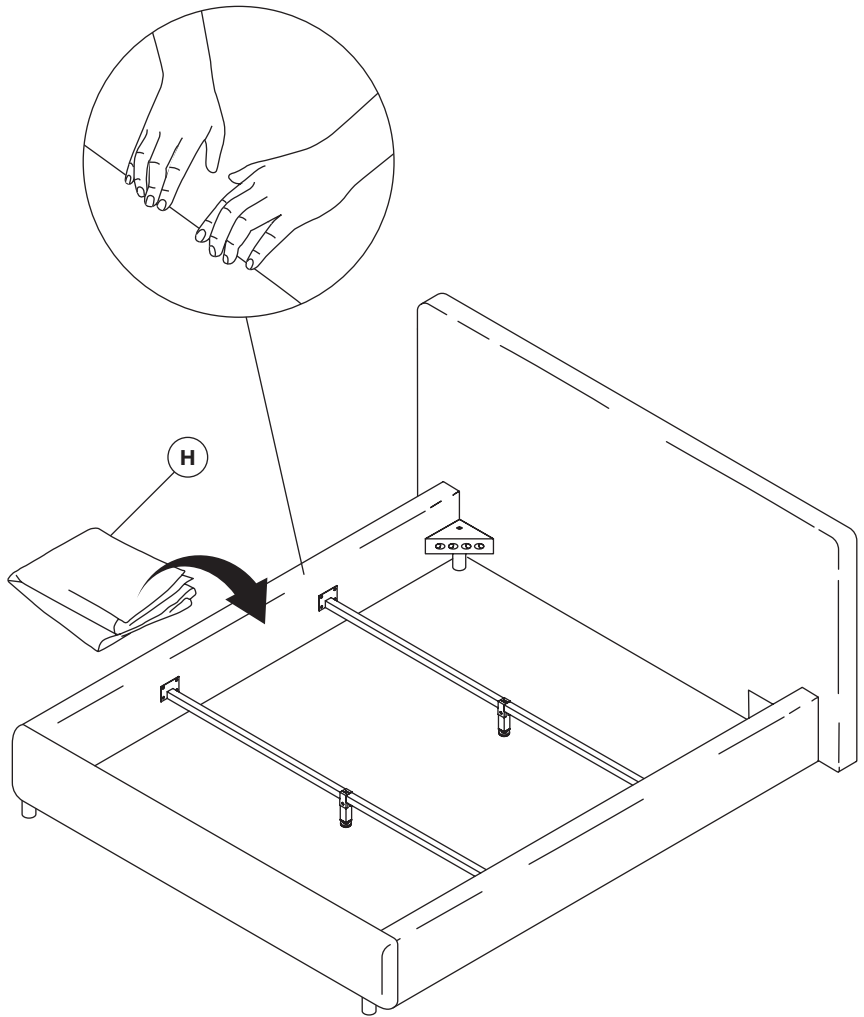
x16

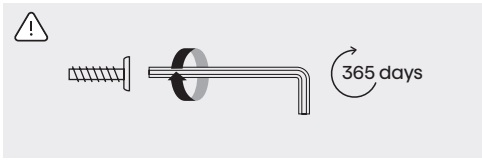
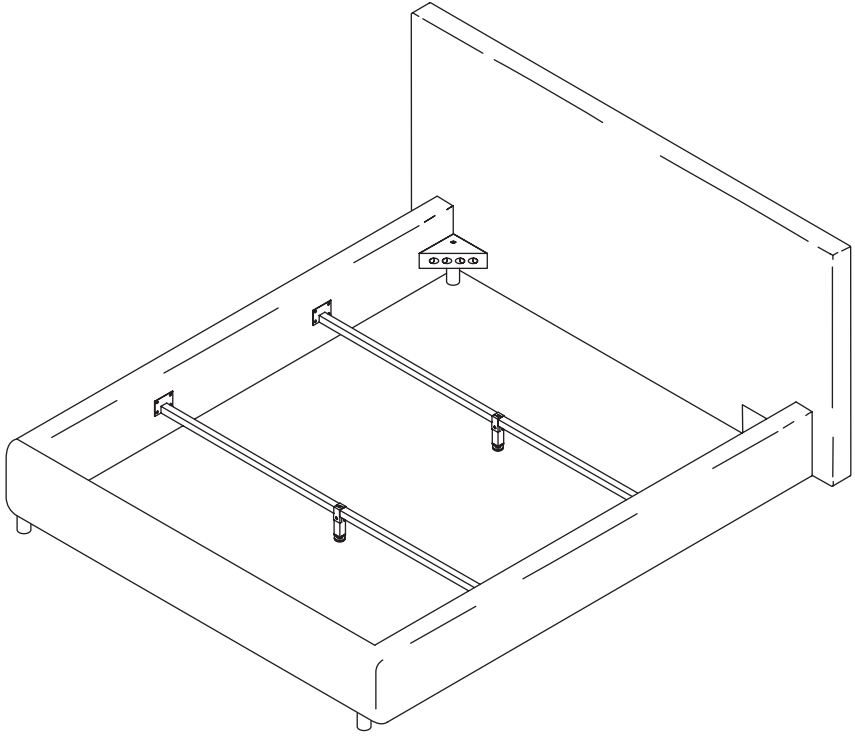
⚠ 50% 100%

✓  ✗ 

This section contains a warning icon (a triangle with an exclamation mark) and two diagrams illustrating correct and incorrect screw placement. The '50%' diagram shows a screw with a washer being inserted into a hole, accompanied by a checkmark. The '100%' diagram shows a screw without a washer being inserted into a hole, accompanied by an 'X' mark.







Kave

Julià Grup Furniture Solutions S.L.

B-17616277

Pol. Ind. Bosc d'en Cuca
C/ Tallers, 14. 17410 Sils, Spain
contact@kavehome.com



IT: PAP 22, Carta.
Verifica le disposizioni del tuo comune.